



CAPITAL PROGRAM SERVICES  
5750 ALMADEN EXPRESSWAY  
SAN JOSE, CA 95118-3686  
TELEPHONE (408) 630-3088  
FACSIMILE (408) 979-5631  
www.valleywater.org  
scvwdplanroom@valleywater.org

*Santa Clara Valley Water District  
Notification of this Addendum is transmitted via email to all current plan holders.  
This Addendum is posted on the Valley Water website at  
<https://www.valleywater.org/construction>*

September 15, 2020

**ADDENDUM NO. 1  
TO CONTRACT DOCUMENTS FOR THE  
CENTRAL AND PARALLEL EAST PIPELINES  
INSPECTION AND REHABILITATION PROJECT  
Project No. 95084002      Contract No. C0661**

Notice is hereby given to Prospective Bidders that the Contract Documents are modified as hereinafter set forth.

**PLANS, SPECIFICATIONS AND CONTRACT DOCUMENTS**

**SPECIAL PROVISIONS**

**1. Various Sections**

**DELETE** “Town of Los Gatos” from Articles 12.03.E.4.a.(2), 14.16.02.A.3, and 16.05.B.

**2. Section 12. Work and Contract Times, Table 12.03-1. Tentative Schedule of Work**

**REPLACE** the title of column:

“Duration (Work Days)” **with**

“Duration (Calendar Days)”

**REPLACE** the End Date of Milestone 5: Central Pipeline Dewatering Work:

“Friday, January 22, 2021” **with**

“Tuesday, January 19, 2021”

**3. Section 18. Permits and Regulations, Article 18.01.01. District-Obtained Permits**

**DELETE** Article 18.01.01.A.7. Town of Los Gatos Encroachment Permit in its entirety.

**4. Appendix E**

**DELETE** Town of Los Gatos Encroachment Permit in its entirety.

**DRAWINGS**

5. On Sheet C-01, **RELOCATE** the Piedmont Valve Yard callout on the plan and profile views to:

“STA -(00+21)  
CP 0  
PIEDMONT VALVE YARD  
LINE VALVE VAULT  
SEE C-32”

6. On Sheets G-06 and G-07, **ADD** “RTU CONTROL PANEL” to two (2) rows in the “DISTRICT-FURNISHED MATERIALS” column:

- a. Row CP 22-23
- b. Row CP 45

7. **DELETE** the last sentence from General Notes number 12 on sheet G-05.

8. Under the Reference Information and Notes on sheet C-19, **ADD** the following:

“3. Vault access for CP-81 is approximately 4’ lower than the Los Gatos Creek Trail. Contractor shall provide means of access to vault.”

9. **REPLACE** the callouts as follows:

- a. On sheet C-27 - Section B, 4” CARV Assembly and C-34 -Section B, 4” CARV Assembly, **REPLACE** callout:

“REINSTALL 4”Ø STEEL SPOOL” **with**

“REPLACE 4”Ø FLANGED STEEL SPOOL, LENGTH VARIES, CONTRACTOR SHALL FIELD VERIFY LENGTH PRIOR TO PROCUREMENT”

- b. On sheet C-28 - Section B, 6" CARV Assembly, **REPLACE** callout:

"REINSTALL 6"Ø STEEL SPOOL" **with**

"REPLACE 6"Ø FLANGED STEEL SPOOL, LENGTH VARIES, CONTRACTOR SHALL FIELD VERIFY LENGTH PRIOR TO PROCUREMENT"

- c. On sheet C-29 - Section B, 8" CARV Assembly, **REPLACE** callout:

"REINSTALL 8"Ø STEEL SPOOL" **with**

"REPLACE 8"Ø FLANGED STEEL SPOOL, LENGTH VARIES, CONTRACTOR SHALL FIELD VERIFY LENGTH PRIOR TO PROCUREMENT"

- d. On sheet C-30 - Section B, 12" Pumpout Riser, **REPLACE** callout:

"REINSTALL 12"Ø STEEL SPOOL" **with**

"REPLACE 12"Ø FLANGED STEEL SPOOL, LENGTH VARIES, CONTRACTOR SHALL FIELD VERIFY LENGTH PRIOR TO PROCUREMENT"

**10. ADD the callout as follows:**

- a. On sheets C-31 - Section B, 12" Pumpout with 12" Plug Valve & Manhole Assembly; 5C-02 - Section B, Proposed Blowoff Assembly with MH Section View; and 6C-02 - Section B. 12" & 4" Pressure Relief Valve Assembly, **ADD:**

"NOTE: REPLACE 12"Ø FLANGED STEEL SPOOL, LENGTH VARIES, CONTRACTOR SHALL FIELD VERIFY LENGTH PRIOR TO PROCUREMENT"

- b. On sheet 4C-02 - Section B, 24" Manual BFV Vault Proposed Section View, **ADD:**

"NOTE: REPLACE 24"Ø FLANGED STEEL SPOOL, LENGTH VARIES, CONTRACTOR SHALL FIELD VERIFY LENGTH PRIOR TO PROCUREMENT"

## **GENERAL QUESTIONS & RESPONSES**

### **QUESTION 1:** (Date Received: 08/27/2020)

Please confirm that the NEMA rating of the vaults is NEMA 3R? There is no indications on the drawings overall, but we did find that Panel LLG on Drawing 2E-02 is NEMA 3R. Please confirm that remaining materials (supports, disconnect switches, conduits) can be based on a NEMA 3R environment?

### **RESPONSE 1:**

A NEMA 3R rating for the vaults is acceptable. The contractor shall verify PG&E requirements to determine if an alternate rating will be required for electrical service entrance related equipment.

### **QUESTION 2:** (Date Received – 08/31/2020)

Can you please clarify the flange requirements on the butterfly valves for this project? See below:

Article 34.02 Butterfly Valves does not specify whether the flanges are 125# or 250#. The models referenced, Mueller XP/XPII and Pratt HP250/250II, are both 125#/250#.

### **RESPONSE 2:**

On sheet G-05 of the Drawings "PIPELINE AND PIPELINE APPURTENANCES - GENERAL NOTES", Note 1A: "UNLESS OTHERWISE SHOWN IN THE DRAWINGS, ALL FLANGES ARE AWWA CLASS E". Flanges shall also comply with all other requirements set forth in the Drawings and Specifications.

### **QUESTION 3:** (Date Received – 08/31/2020)

Bailey Valve supplied the existing sleeve valve on this project about 20 years ago. Are you looking for an exact replacement?

### **RESPONSE 3:**

Bailey Valve Model B14, or equal, is specified in Article 34.10-2.01.J. Sleeve valves shall meet all requirements specified in Article 34.10 – Sleeve valves.

### **QUESTION 4:** (Date Received – 09/01/2020)

Precast concrete ground wells are indicated on sheets 2E-01 and 5E-01. Please clarify the specifications of the concrete ground wells.

### **RESPONSE 4:**

Ground well shall be Oldcastle precast F08 Box or equal. Lid shall be reinforced concrete with etched label "Ground".

### **ADDENDUM NO. 1**

**Santa Clara Valley Water District**

**Central and Parallel East Pipelines Inspection and Rehabilitation Project – C0661**

Revision 3\_9/15/2020

Page 4 of 7

Attachment 1  
Page 4 of 48

**QUESTION 5:** (Date Received – 09/01/2020)

Sheets 2E-01 and 5E-01 indicate that electrical metered service entrances are to be removed and replaced. Per Article 37.01, 1.04 A in the specs “For electrical service entrance installation or modification, the contractor shall coordinate with, and comply with, all PG&E requirements and the latest edition of the PG&E Greenbook.” What are the current specifications on the existing meters, panels, and power drops? What are the specifications and requirements on the new meters and power drops? Please confirm what work will be performed by PG&E.

**RESPONSE 5:**

New meter panel shall have minimum 100A bus rating. New service disconnect shall be a circuit breaker, rated 40A minimum. Please refer to the PG&E Greenbook for all other requirements. PG&E will perform disconnection of the service prior to the work, and reconnection after completion. Contractor shall be responsible for all other modifications.

**QUESTION 6:** (Date Received – 09/01/2020)

Sheet 2C-03 shows backfill around the flowmeter vault as Compacted Backfill. However, Article 24.01, Excavation and Backfill, states that Structure Backfill shall be Controlled Density Fill. Please confirm which is correct.

**RESPONSE 6:**

Article 24.01.2.01.F, Structure Backfill shall be controlled density fill.

**QUESTION 7:** (Date Received – 09/01/2020)

Electrical drawings 1E-01, 2E-01, 3E-01, 4E-01, 5E-01, 6E-01, 6E-02 are shown as Not To Scale. Will scaled drawings be provided?

**RESPONSE 7:**

Scaled electrical drawings will not be provided.

**QUESTION 8:** (Date Received – 09/01/2020)

Per note 12 in General Notes on page G-05, “District will perform all in-vault electrical, instrumentation and SCADA disconnection and connection.” However, per Note 3 on page 1E-01 “Contractor shall de-terminate existing field wiring for replacement of RTU cabinet under supervision of district maintenance staff. Contractor shall terminate wiring after replacement.” Please clarify who is responsible for all electrical, instrumentation, and SCADA terminations and de-terminations.

**RESPONSE 8:**

See Item 7. of Addendum No. 1. The contractor shall be responsible for all electrical, instrumentation, and SCADA terminations and de-terminations. As stated in Note 3 1E-01, the contractor shall perform de-termination/termination of RTU field wiring under supervision of District maintenance staff.

**ADDENDUM NO. 1**

**QUESTION 9:** (Date Received – 09/01/2020)

The majority of the air vent piping in the Parallel East line will be backfilled with Controlled Density Fill. Please confirm that concrete thrust blocks will still be required.

**RESPONSE 9:**

A thrust block is not required at all changes in pipe direction. A thrust block is required below the 10" air release valve vent pipe assembly.

**QUESTION 10:** (Date Received – 09/01/2020)

Specification Section 23.07 Pipeline Dewatering states a max of 3 CFS for discharge flow while dewatering the pipeline. Exhibit C, as part of the Streambed Alteration Agreement with California Department of Fish and Wildlife included in the specifications lists differing flow discharge rates depending on the location along the pipeline. Are we to base our pipe dewatering pumping off of 3 CFS or what is specifically shown in the permit for each location?

**RESPONSE 10:**

The discharge rate at each site varies based on CDFW and City requirements. The lowest discharge rate specified shall be used. See City-required discharge rates for storm drain use in Appendix E.

**QUESTION 11:** (Date Received – 09/01/2020)

Drawing C-06 (Sheet 17) shows the CP-25 (Pre-cast Vault at Grade See Note 3), but there is no work indicated for this vault in the drawings. Please confirm there is no work in this vault.

**RESPONSE 11:**

No work will occur at CP-25.

**QUESTION 12:** (Date Received – 09/01/2020)

Please confirm that Valley Water will be considered the generator of any pre-existing hazardous material encountered by the Contractor.

**RESPONSE 12:**

Refer to Specification Section 10 Environmental.

**QUESTION 13:** (Date Received – 09/01/2020)

The payment procedures for Bid Item No. 7, Completion of Encroachment Permits state that “All bidders shall bid the amount shown on the bid form...”. However, no amount is shown. Please clarify the amount Contractors shall carry for this item.

**RESPONSE 13:**

Bid Item No. 7 shall have the following amount: \$95,000. The revise Bid Form No.1, Proposal and Bid Items, will be included in Addendum No. 2.

**QUESTION 14:** (Date Received – 09/01/2020)

With many City services limited due to COVID, delays have been experienced with the review and issuance of permits. Similar delays on this project could impact the schedule at no fault of the Contractor. Please clarify how much time we should assume for review of encroachment permit applications.


**RESPONSE 14:**

Refer to Specification Section 12.03 Contract Time(s).

**NOTES:**

- A. Inquiries not responded in this Addendum No. 1 will be addressed in Addendum No. 2.

THIS ADDENDUM NO. 1, WHICH CONTAINS 7 PAGES, IS ATTACHED TO AND IS A PART OF THE SPECIFICATIONS AND CONTRACT DOCUMENTS FOR THIS PROJECT.

DocuSigned by:  
  
09E2E1708C2D418...  
Heath McMahon, P.E.  
Deputy Operating Officer  
Water Utility Capital Division

Date: 9/15/2020



**CAPITAL PROGRAM SERVICES**  
**5750 ALMADEN EXPRESSWAY**  
**SAN JOSE, CA 95118-3686**  
**TELEPHONE (408) 630-3088**  
**FACSIMILE (408) 979-5631**  
**www.valleywater.org**  
**scvwdplanroom@valleywater.org**

*Santa Clara Valley Water District*  
*Notification of this Addendum is transmitted via email to all current plan holders.*  
*This Addendum is posted on the Valley Water website at*  
*<https://www.valleywater.org/construction>*

September 17, 2020

**ADDENDUM NO. 2**  
**TO CONTRACT DOCUMENTS FOR THE**  
**CENTRAL AND PARALLEL EAST PIPELINES**  
**INSPECTION AND REHABILITATION PROJECT**  
**Project No. 95084002 Contract No. C0661**

Notice is hereby given to Prospective Bidders that the Contract Documents are modified as hereinafter set forth.

**NOTICE TO BIDDERS**

1. **REPLACE** Paragraph 12.A. Bid Submittal Delivery in its entirety with:

**“A. Bid Submittal Delivery.** Bidders are allowed to submit a bid by third party carrier or by hand delivery;

**THIRD PARTY CARRIER;** Bidders are allowed to submit a bid by third party carrier such as: FEDEX, UPS, DHL, CA Overnight, Golden State Overnight, etc., and Bids must be addressed in accordance with instructions stated in this paragraph 12. Any Bid Proposal received after 2 p.m. will not be considered. Late Bids will be returned unopened.

**HAND DELIVERY OF YOUR BID;** Hand delivered Bids shall only be between the hours of 1:00 p.m. - 2:00 pm. on the bid due date, at the Windfield Warehouse located at 5905 Windfield Boulevard, San Jose, CA 95123. Drop off directions will be provided at the entrance gate. Bidder's must obtain a date and time stamp on their Bid. Bidders must observe all Public Health Officers orders and wear proper face covering when dropping off your Bid.

**NO BIDS WILL BE ACCEPTED VIA USPS (US MAIL).**

Address the outside delivery envelope as follows:  
Santa Clara Valley Water District  
Attention: Construction Program  
C0661 – Central and Parallel East Pipelines Inspection and Rehabilitation Project  
5905 Winfield Boulevard  
San Jose, CA 95123-2428

**Note: USPS (US Mail) does not deliver to 5905 Winfield Boulevard.”**



2. **REPLACE** Bid Form No. 1, Proposal and Bid Items with Attachment 1 – Revised Bid Form No. 1
  - a. **ADD** on Bid Item No. 7, Completion of Encroachment Permits with Cities, County, Town, and Agency, Fixed Price amount of \$95,000 as the Unit Price and Total.
  - b. **ADD** Bid Item No. 96, Project Professionally Facilitated Project Partnering – SUPPLEMENTAL WORK, with Fixed Price amount of \$25,000 as the Unit Price and Total.

### **INSTRUCTION TO BIDDERS**

3. **REPLACE** Paragraph 21. Award of Contract, sub-paragraph B. in its entirety with:

“B. The Contract, if awarded, will be to a responsible Bidder, submitting the lowest responsive Bid. The award, if made, will be within **60 calendar days** after the opening of the Proposals.

If the lowest responsible Bidder refuses or fails to execute the Contract, the award may be made to the second lowest responsible Bidder. The award, if made, within **60 additional calendar days** after District notifies the second lowest responsible bidder of the first low bidder’s failure to execute the Contract.

If the second lowest responsible Bidder refuses or fails to execute the Contract, the District may award the Contract to the third lowest responsible Bidder selected as above provided and such award, if made, will be made within **60 additional calendar days**.

If necessary, the same procedure may be utilized by the District for awarding the Contract to subsequent responsible Bidders.”

### **PLANS, SPECIFICATIONS AND CONTRACT DOCUMENTS**

#### **SPECIAL PROVISIONS**

4. **REPLACE** Article 14.15. Partnering in its entirety with:

“**14.15. Partnering**

  - A. Professionally Facilitated Project Partnering (PFPP) is included as a supplemental bid item. The District or the Contractor may request the use of PFPP. The Contractor’s attention is directed to Standard Provisions Article 3.15.02, Professionally Facilitated Project Partnering.”

5. **REPLACE** Article 14.15.01. Payment in its entirety with:

**“14.15. Payment**

- A. All bidders shall bid the amount shown on the Revised Bid Form No. 1 for Bid Item No. 96, Professionally Facilitated Project Partnering. This amount is estimated only, and the Bid Item will be used to reimburse the Contractor for the District's share in accordance with Standard Provisions Article 3.15.02, Professionally Facilitated Project Partnering.”

6. **ADD** Article 21.01.02.T.

**“T. Bid Item No. 96 - Professionally Facilitated Project Planning – SUPPLEMENTAL WORK**

1. Scope of Work: This supplemental bid item shall include doing all work, providing all equipment, and furnishing all materials required to establish and maintain a professional partnering relationship with the District. See Article 3.15 for specific scope of work for this bid item.
2. Measurement and Payment: All bidders shall bid the amount shown on the bid form for Professionally Facilitated Project Partnering. This amount is estimated only, and the Bid Item will be used to reimburse the Contractor for the District's share in accordance with Standard Provisions Article 3.15.02, Professionally Facilitated Project Partnering.”

**TECHNICAL PROVISIONS**

7. **Article 38.01 General Instrumentation Requirements, Part 1 General**

**DELETE** Article 38.01.H.5 in its entirety.

**APPENDICES**

8. **ADD** Attachment 2:

“Appendix E – County of Santa Clara General Notes”

9. **ADD** Attachment 3:

“Appendix K - Electrical and Instrumentation Work Roles and Responsibilities”

**DRAWINGS**

10. Under the Reference Information and Notes on sheet 1C-04, **ADD** the following:

“1. THE TWO (2) 12" MANUAL BFVS BELOW THE AIR VALVE ASSEMBLIES IN THIS VAULT HAVE FLANGES WITH 250# DRILLING.”

**ADDENDUM NO. 2**

11. On sheet 7C-14 – Detail 1, 2” Air Release Valve Vent Pipe Assembly, **DELETE** callout:  
“INSTALL THRUST BLOCKS AT ALL CHANGES IN PIPE DIRECTION AND DIMENSION, TYP.”
12. On sheet 7C-14 – Detail 2, 10” Above Grade ARV Vent Pipe Assembly, **REPLACE** callout:  
“INSTALL THRUST BLOCKS AT ALL CHANGES IN PIPE DIRECTION AND DIMENSION SEE DETAIL 7, SHT 7C-21, TYP” **with**  
“INSTALL THRUST BLOCK, SEE DETAIL 7, SHT 7C-21, TYP.”
13. **REPLACE** the following sheets in their entirety. See Attachment 4:
  - a. C-32
  - b. 6C-01
  - c. 6C-04
  - d. 6C-05
  - e. E-01
  - f. E-02
  - g. 1E-02
  - h. 2E-01
  - i. 3E-01
  - j. 4E-01
  - k. 6E-01
  - l. 6E-02
  - m. 6E-03

### **GENERAL QUESTIONS & RESPONSES**

**QUESTION 15:** (Date Received: 09/01/2020)

Per sheets 6E-02 and 6C-01, raceway is routed from the transformer to panel “PC” in the Pump Building. Please clarify the location of panel “PC” in the Pump Building.

**RESPONSE 15:**

See Item 13. of Addendum No. 2.

**QUESTION 16:** (Date Received: 09/01/2020)

On sheets 3E-01 and 4E-01, there is raceway running from the Existing RTU Cabinets to a Guard Valve Vault. Are these conduits existing or new? If new, what size conduit shall be installed? Where is the Guard Valve Vault located?

**RESPONSE 16:**

Refer to the attached Addendum drawings for clarification. See 3C-01 and 4C-01 for guard valve vault locations.

**QUESTION 17:** (Date Received: 09/01/2020)

Per Article 37.22, "general type of underground raceways shall be Schedule 40 Polyvinyl Chloride (PVC) conduit." On 1E-01, 2E-01 & 4E-01 the underground raceway is designated as Galvanized Rigid Conduit. Please clarify which type of conduit should be used.

**RESPONSE 17:**

See Item 13. of Addendum No. 2.

**QUESTION 18:** (Date Received: 09/01/2020)

On sheet 6C-01, conduit is shown to be installed between the pump building and the 48" motor operated BFV in vault. On this sheet, the conduit appears to be new and empty. On sheets 6E-02 and Detail 3 on 6E-03, the same conduits appear to be existing and contain wire. Please clarify the scope of the conduits and wire in this area. How many new conduits are required? Are we replacing the existing underground conduits to the pump building?

**RESPONSE 18:**

See Item 13. of Addendum No. 2.

**QUESTION 19:** (Date Received: 09/08/2020)

At PEP Station per Bid Schedule Item 76 to 89, there are 14 items with 10" CARV Assemblies and 2" ARV Assemblies respectively. However, it looks like these two details are not shown on the plans and we don't know what work items are involved. Could you provide these details?

**RESPONSE 19:**

See Specification Section 12.01.C. In addition, see sheet 7G-05 (Vault Maintenance Schedule) and 7C-07 through 7C-13 on the plans for the work associated with bid items 76 to 89.

**ADDENDUM NO. 2**

**QUESTION 20:** (Date Received: 09/08/2020)

At Kirk Ditch Turnout (KDT) at 24" Flowmeter Vault per 4C-03, there is a Double Leaf Door of 6' x 6' OD. Is this a standard Hatch or is it a Fabricated Door? If Fabricated, what is the Material and Loading requirement of this door?

**RESPONSE 20:**

See Specification Article 36.12 - PART 2.

**QUESTION 21:** (Date Received: 09/08/2020)

At Vasona Pump Station (VPS) per 6C-03, the Platform ladder is shown as Steel. However, the material for the Platform, Grating & Railings is not shown. Are they Aluminum per Spec?

**RESPONSE 21:**

Platform ladder shall reference detail ST-43 on sheet C-42. For material of platform, grating, & railings see specification article 36.07 - Catwalks, Stairs, and Ladders.

**QUESTION 22:** (Date Received: 09/09/2020)

Will the Contractor be responsible for obtaining a permit from the San Jose/Santa Clara Water Pollution Plant for discharging into the storm system? If so, which bid item is this permit paid under?

**RESPONSE 22:**

See requirements in Specifications Section 19 – Environmental.

**QUESTION 23:** (Date Received: 09/09/2020)

Please confirm whether the project will be subject to California Public Contract Code Section 7105 (Acts of God statute).

**RESPONSE 23:**

This Contract is subjected to the California Public Contract Code Section 7105.

**QUESTION 24:** (Date Received: 09/09/2020)

Section 38.01 of the specifications states, "The contractor shall develop and complete the PLC programming, OIT database, displays, alarm summaries and reports per the Drawings and Specifications under the direction and the supervision of District staffs." However, Section 38.02 states, "District will furnish and program the back panels and OIT screens of the RTU's." Who is responsible for the programming of the RTU's? Also, please confirm the district will be furnishing the back panels (Hoffman Part # A72P36F1) and OIT screens (Maple Systems Part # HMI5102L). These items are not identified as district furnished per Section 14.07 District Furnished Material and Equipment. Will the district be furnishing any other parts of the RTUs?

**RESPONSE 24:**

See Item 6. of Addendum No. 1.

**QUESTION 25:** (Date Received: 09/09/2020)

Attachment A, Special-status Plant Species Occurrence Assessment, identified Loma Prieta hoita, arcuate bush mallow, Hall's bush mallow, and maple-leaved checkerbloom as being unlikely to occur on the sites, but said they were going to do a survey in the spring and the specifications don't have any results of that survey or any specific requirements for us to do plant surveys. Please confirm that the Contractor will not be responsible for plant surveys. Are there any known locations that will require exclusion fencing or avoidance?

**RESPONSE 25:**

The Contractor will not be responsible for any further plant surveys.

**QUESTION 26:** (Date Received: 09/09/2020)

Access to Central Pipeline Sta 440+65 is currently fenced off by another contractor performing work in the area and we were unable to investigate this location. Please confirm that this access will be reopened prior to Award.

**RESPONSE 26:**

Access will be provided during time of construction.

**QUESTION 27:** (Date Received: 09/09/2020)

Section 19.05.01, Asbestos Management, states that existing facilities may have been constructed using asbestos-containing material, but does not indicate any specific locations or features. Are existing gaskets or other locations expected to contain asbestos?

**RESPONSE 27:**

Existing gaskets are expected to contain asbestos.

**QUESTION 28:** (Date Received: 09/09/2020)

Sheet 7C-20, Excavation, Backfill and Paving - General Note 8 states that existing AC pavement may be as thick as 24-inches. Variation in this thickness will affect costs for sawcutting, removal & disposal, and replacement. What pavement thickness are Contractors to assume in their bid?

**RESPONSE 28:**

Contractors shall assume an AC pavement thickness of 24" for their bid.

**QUESTION 29:** (Date Received: 09/09/2020)

We had an issue with Fedex delivering our bid on time last week so we are skeptical of doing it a second time. They are not guaranteeing delivery times due to COVID. Is there any way we can arrange for a bid runner to drop it off somewhere? Other agencies are leaving boxes at the front door and then a representative picks them up before the due date time. Still a no contact delivery either way.

**RESPONSE 29:**

See Item 3. of Addendum No. 2.

**QUESTION 30:** (Date Received: 09/11/2020)

Sheet 4C-05 shows the replacement of a 14" cone valve inside of the Kirk Ditch Turnout Vault. It appears that there is no access to this location as the vault is enclosed on all sides. Please provide information on how the contractor should access this area.

**RESPONSE 30:**

See Note 1 on sheet 4C-05.

**QUESTION 31:** (Date Received: 09/11/2020)

Please provide pictures of the inside of the Vasona Cone Valve Vault and Kirk Ditch Vault

**RESPONSE 31:**

See Attachment 5 – Kirk Ditch 14" Cone Valve Vault and Vasona Valve Yard 30" Cone Valve Site Photos (For Information Only).

**QUESTION 32:** (Date Received: 09/11/2020)

Will the contractor be required to slurry seal the trench patch for the PEP locations along White Road?

**RESPONSE 32:**

See Specification Section 3.07 Slurry Seal and notes 1 and 8 on sheet 7C-20.

**ADDENDUM NO. 2**

**QUESTION 33:** (Date Received: 09/12/2020)

Are burrowing owl surveys only necessary adjacent to the Guadalupe River Park Gardens site, or is this required at all sites?

**RESPONSE 33:**

The Contractor shall adhere to the Santa Clara Valley Habitat Plan (VHP) Condition 15 of Specifications Appendix D – Central Pipeline VHP Conditions, MMRPs, and BMPs.

**QUESTION 34:** (Date Received: 09/12/2020)

Are there any requirements for fish relocation for the project, in particular the designated locations of pipeline dewatering into the nearby watersheds? Is Valley Water responsible for these relocations?

**RESPONSE 34:**

See Section 4 of Specifications Appendix H – Central Pipeline Biological Report.

**QUESTION 35:** (Date Received: 09/12/2020)

The drawings show a hoist inside the Guadalupe Valve Vault. Is this available for the Contractor's use to remove and install the valves and pipe?

**RESPONSE 35:**

The hoist is available for the Contractor to complete the Work. The Contractor shall perform function testing and a visual inspection of the hoist and rail prior to use.

**QUESTION 36:** (Date Received: 09/12/2020)

We have received feedback from suppliers that the leadtime for the new sleeve valve and cone valves may be up to 30 weeks after submittals are approved. This makes it unlikely that they would be installed during the shutdown. Would Valley Water consider purchasing these valves in advance or could they be installed after the pipeline is back in service?

**RESPONSE 36:**

The replacement of the sleeve valve and cone valves may be completed after the pipeline is back in service. The 30" cone valve shall be isolated using the work shown in addendum drawing 6C-05.

**QUESTION 37:** (Date Received: 09/12/2020)

Section 18, Permits and Regulations, states that the Contractor shall observe restricted hours for traffic lane closure as stated on the permits. Depending on the results from Valley Water's electromagnetic inspection, CFRP repair locations may be in areas that require traffic control for staging equipment and access. Some equipment must run 24 hours per day during the CFRP installation work. Should Contractors assume that waivers work hours and traffic restrictions will be granted for these areas?

**ADDENDUM NO. 2**



**RESPONSE 37:**

See Specifications Appendix E for city encroachment permit requirements.

**QUESTION 38:** (Date Received: 09/12/2020)

Section 8.07.D states The Contractor shall provide confined-space rescue services for all Work performed in a permit-required confined space and for all entrants to required confined space regardless of the entrant's employer." Does this mean that the Contractor will be responsible for providing rescue services for Valley Water's work including pipeline inspection and AFO installation?

**RESPONSE 38:**

The contractor is not responsible for providing rescue services for Valley Water staff or its third party consultants/contractors. Section 8.07.D only applies to staff employed by the contractor and its subcontractors.

**QUESTION 39:** (Date Received: 09/12/2020)

Section 17.01.K states that the Contractor shall complete and submit the Contractor Safety Qualification Packet and Rescue Training Certification Form for review and that favorable review of these forms is required for Contract award. Please confirm that these forms are not required to be submitted with the bid.

**RESPONSE 39:**

The Contractor Safety Qualification Packet and Rescue Training Certification Form is not required to be submitted as part of the bid.

THIS ADDENDUM NO. 2, WHICH CONTAINS 10 PAGES AND 5 ATTACHMENTS (31 PAGES), IS ATTACHED TO AND IS A PART OF THE SPECIFICATIONS AND CONTRACT DOCUMENTS FOR THIS PROJECT.

DocuSigned by:  
*Rolando Bueno*  
F33337B11A1F422...

Date: 9/17/2020

Rolando Bueno, PE  
Acting Deputy Operating Officer  
Water Utility Capital Division

- ATTACHMENT 1: Revised Bid Form No. 1, Proposal and Bid Items.
- ATTACHMENT 2: Appendix E – County of Santa Clara General Notes
- ATTACHMENT 3: Appendix K – Electrical and Instrumentation Work Roles and Responsibilities
- ATTACHMENT 4: Revised Drawing – C-32 to 6E-03
- ATTACHMENT 5: Kirk Ditch 14” Cone Valve Vault and Vasona Valve Yard 30” Cone Valve Site Photos (For Information Only)

**Attachment 1:**  
**Revised Bid Form No. 1**

**NOTE:**

Contractor must used this form along with Bid Form Nos. 2 to 7  
(except Bid Form No. 4 - Not Used)



**REVISED BID FORM NO. 1  
Proposal and Bid Items**

*This form must be completed in **ink** and changes must be **initialed**.*

Honorable Board of Directors  
Santa Clara Valley Water District (District)

Pursuant to, and in compliance with, the Notice to Bidders and the Contract Documents, relating to the **CENTRAL AND PARALLEL EAST PIPELINES INSPECTION AND REHABILITATION PROJECT**, the undersigned Bidder having become thoroughly familiar with the terms and conditions of the Contract Documents and with local conditions affecting the performance and costs of the Work and having fully inspected the Work site in all particulars, hereby proposes and agrees to fully perform the Work, including providing any and all labor and materials and performing all Work required to construct and complete said Work within the contract time stated and in accordance with the requirements of the Contract Documents, for the following sum of money.

The undersigned Bidder agrees to complete all the Work within **305** calendar days from the first chargeable day of the Contract, as stated in the Notice to Begin Work. The Bidder agrees to enter into a Contract with the District and provide the required bonds and insurance in accordance with the Instructions to Bidders, Contract Bonds, paragraph #22 and Execution of Contract, paragraph #23. If the Bidder fails to meet these requirements within the time specified in the Instruction to Bidders, Failure to Execute Contract, paragraph #24, the Bidder's security accompanying this Proposal may be forfeited and become the property of the District. No Contract exists until all Contract bonds and insurance documents have been accepted by the District.

**TOTAL BID: \$ \_\_\_\_\_**

Bidder acknowledges receipt of the following Addenda to the Bid Documents:  
Addenda are posted online at <https://www.valleywater.org/construction>.

**NO** Addenda received

Addenda received as follows:

Addendum No. _____	Date _____	Addendum No. _____	Date _____
Addendum No. _____	Date _____	Addendum No. _____	Date _____

Failure to acknowledge receipt of an Addendum on the Bid Form is not, in itself, cause for withdrawal or rejection of Bid, if it can be established that Bidder did, in fact, receive such Addendum prior to Bid opening.

The undersigned Bidder has read and, understands, and will comply with, each and all of the requirements specified in these Bid Documents. This Proposal must be signed by an authorized representative of the Bidder with the authority to bind the Bidder.

<b>BIDDER'S COMPANY INFORMATION</b>	
NAME:	ADDRESS:
CONTRACTOR'S CALIFORNIA LICENSE NUMBER:	
DATE OF EXPIRATION:	
LICENSE CLASSIFICATION(S):	
PHONE NO.: ( )	FAX NO.: ( )
EMAIL ADDRESS:	

<b>SIGNATURE BLOCK (Signature Block must be completed in <i>ink</i> and changes must be <i>initialed</i>.)</b>	
Bidder's Signature:	Date:
Bidder's Name and Title (Print):	



REVISED BID FORM NO. 1  
**Proposal and Bid Items**

Page 2 of 7

This form must be completed in **ink** and changes must be **initialed**.

**SECTION A — BASE BID**

ITEM NO.	DESCRIPTION OF WORK	APPROXIMATE QUANTITY UNIT	UNIT PRICE	TOTAL
1	Mobilization	<u>Lump Sum</u> Lump Sum		
2	NPDES General Permit Requirements	<u>Lump Sum</u> Lump Sum		
3	Environmental Monitoring and Compliance	<u>Lump Sum</u> Lump Sum		
4	Painting and Coating	<u>Lump Sum</u> Lump Sum		
5	Work as Specified for Pipeline Dewatering	<u>Lump Sum</u> Lump Sum		
6	Support for Internal Pipeline Work	<u>Lump Sum</u> Lump Sum		
7	Completion of Encroachment Permits with Cities, County, Town, and Agency	<b>FIXED COST</b>	<b>\$95,000.00</b>	<b>\$95,000.00</b>
8	Developing and Implementing Traffic Control Plans	<u>Lump Sum</u> Lump Sum		
9	Clearing and Grubbing	<u>Lump Sum</u> Lump Sum		
10	Exploratory Utility Investigation	<u>Lump Sum</u> Lump Sum		
11	Sheeting, Shoring, and Bracing	<u>Lump Sum</u> Lump Sum		
12	Pavement Restoration	<u>Lump Sum</u> Lump Sum		
13	Work as Specified for CPL Station 273+24 - Guadalupe Line Valve (GRV)	<u>Lump Sum</u> Lump Sum		
14	Work as Specified for CPL Station 523+70 - Los Gatos Turnout (LLG)	<u>Lump Sum</u> Lump Sum		
15	Work as Specified for CPL Station 646+00 - Page Ditch Turnout (PDT)	<u>Lump Sum</u> Lump Sum		
16	Work as Specified for CPL Station 656+58 - Kirk Turnout (KDT)	<u>Lump Sum</u> Lump Sum		
17	Work as Specified for CPL Station 154+85 - Coyote Creek Blowoff (CYV)	<u>Lump Sum</u> Lump Sum		
18	Work as Specified for CPL Station 665+82 - Vasona Pump Station (VPS)	<u>Lump Sum</u> Lump Sum		

(Rev. 7/24/19)



REVISED BID FORM NO. 1  
**Proposal and Bid Items**

Page 3 of 7

*This form must be completed in ink and changes must be initialed.*

ITEM NO.	DESCRIPTION OF WORK	APPROXIMATE QUANTITY UNIT	UNIT PRICE	TOTAL
19	Work as Specified for CPL Station 00+67 - 8" CARV with 24" Manhole Assembly	<u>Lump Sum</u> Lump Sum		
20	Work as Specified for CPL Station 13+00 - 24" Manhole Assembly	<u>Lump Sum</u> Lump Sum		
21	Work as Specified for CPL Station 27+00 - 24" Manhole Assembly	<u>Lump Sum</u> Lump Sum		
22	Work as Specified for CPL Station 41+00 - 24" Manhole Assembly	<u>Lump Sum</u> Lump Sum		
23	Work as Specified for CPL Station 54+22 - 36" Manhole Assembly	<u>Lump Sum</u> Lump Sum		
24	Work as Specified for CPL Station 71+00 - 24" Manhole Assembly	<u>Lump Sum</u> Lump Sum		
25	Work as Specified for CPL Station 87+00 - 24" Manhole Assembly	<u>Lump Sum</u> Lump Sum		
26	Work as Specified for CPL Station 103+00 - 24" Manhole Assembly	<u>Lump Sum</u> Lump Sum		
27	Work as Specified for CPL Station 117+99 - 24" Manhole Assembly	<u>Lump Sum</u> Lump Sum		
28	Work as Specified for CPL Station 126+20 - 24" Manhole Assembly	<u>Lump Sum</u> Lump Sum		
29	Work as Specified for CPL Station 141+40 - 4" CARV with 24" Manhole Assembly	<u>Lump Sum</u> Lump Sum		
30	Work as Specified for CPL Station 156+90 - 24" Manhole Assembly	<u>Lump Sum</u> Lump Sum		
31	Work as Specified for CPL Station -00+21 – Piedmont Valve Yard Vault	<u>Lump Sum</u> Lump Sum		
32	Work as Specified for CPL Station 170+10 - 4" CARV with 24" Manhole Assembly	<u>Lump Sum</u> Lump Sum		
33	Work as Specified for CPL Station 173+57 - 4" CARV with 24" Manhole Assembly	<u>Lump Sum</u> Lump Sum		
34	Work as Specified for CPL Station 186+25 - 12" Pumpout Riser with 24" Manhole Assembly	<u>Lump Sum</u> Lump Sum		
35	Work as Specified for CPL Station 191+19 - 6" CARV with 24" Manhole Assembly	<u>Lump Sum</u> Lump Sum		
36	Work as Specified for CPL Station 204+93 - 24" Manhole Assembly	<u>Lump Sum</u> Lump Sum		
37	Work as Specified for CPL Station 215+17 - 4" CARV with 24" Manhole Assembly	<u>Lump Sum</u> Lump Sum		

(Rev. 7/24/19)



REVISED BID FORM NO. 1  
**Proposal and Bid Items**

Page 4 of 7

*This form must be completed in ink and changes must be initialed.*

ITEM NO.	DESCRIPTION OF WORK	APPROXIMATE QUANTITY UNIT	UNIT PRICE	TOTAL
38	Work as Specified for CPL Station 228+96 - 12" Pumpout Riser with 24" Manhole Assembly	<u>Lump Sum</u> Lump Sum		
39	Work as Specified for CPL Station 243+96 - 24" Manhole Assembly	<u>Lump Sum</u> Lump Sum		
40	Work as Specified for CPL Station 259+47 - 4" CARV with 24" Manhole Assembly	<u>Lump Sum</u> Lump Sum		
41	Work as Specified for CPL Station 264+20 - 30" Manhole Assembly	<u>Lump Sum</u> Lump Sum		
42	Work as Specified for CPL Station 283+40 - 24" Manhole Assembly	<u>Lump Sum</u> Lump Sum		
43	Work as Specified for CPL Station 298+54 - 24" Manhole Assembly	<u>Lump Sum</u> Lump Sum		
44	Work as Specified for CPL Station 317+80 - 24" Manhole Assembly	<u>Lump Sum</u> Lump Sum		
45	Work as Specified for CPL Station 332+24 - 24" Manhole Assembly	<u>Lump Sum</u> Lump Sum		
46	Work as Specified for CPL Station 348+60 - 24" Manhole Assembly	<u>Lump Sum</u> Lump Sum		
47	Work as Specified for CPL Station 367+06 - 6" CARV with 24" Manhole Assembly	<u>Lump Sum</u> Lump Sum		
48	Work as Specified for CPL Station 371+24 - 24" Manhole Assembly	<u>Lump Sum</u> Lump Sum		
49	Work as Specified for CPL Station 380+55 - 4" CARV with 24" Manhole Assembly	<u>Lump Sum</u> Lump Sum		
50	Work as Specified for CPL Station 386+62 - 24" Manhole with Tri-Cock Assembly	<u>Lump Sum</u> Lump Sum		
51	Work as Specified for CPL Station 400+40 - 24" Manhole Assembly	<u>Lump Sum</u> Lump Sum		
52	Work as Specified for CPL Station 418+55 - 6" CARV with 24" Manhole Assembly	<u>Lump Sum</u> Lump Sum		
53	Work as Specified for CPL Station 424+22 - 24" Manhole Assembly	<u>Lump Sum</u> Lump Sum		
54	Work as Specified for CPL Station 440+65 - 24" Manhole Assembly	<u>Lump Sum</u> Lump Sum		
55	Work as Specified for CPL Station 450+99 - 6" CARV with 24" Manhole Assembly	<u>Lump Sum</u> Lump Sum		
56	Work as Specified for CPL Station 465+68 - 6" CARV with 24" Manhole Assembly	<u>Lump Sum</u> Lump Sum		

(Rev. 7/24/19)



REVISED BID FORM NO. 1  
**Proposal and Bid Items**

Page 5 of 7

*This form must be completed in ink and changes must be initialed.*

ITEM NO.	DESCRIPTION OF WORK	APPROXIMATE QUANTITY UNIT	UNIT PRICE	TOTAL
57	Work as Specified for CPL Station 481+98 - 24" Manhole Assembly	<u>Lump Sum</u> Lump Sum		
58	Work as Specified for CPL Station 488+12 – Meter Box	<u>Lump Sum</u> Lump Sum		
59	Work as Specified for CPL Station 496+20 - 8" CARV with 24" Manhole Assembly	<u>Lump Sum</u> Lump Sum		
60	Work as Specified for CPL Station 508+94 - 4" CARV with 24" Manhole Assembly	<u>Lump Sum</u> Lump Sum		
61	Work as Specified for CPL Station 517+10 - 4" CARV with 24" Manhole Assembly	<u>Lump Sum</u> Lump Sum		
62	Work as Specified for CPL Station 522+95 - 4" CARV with 24" Manhole Assembly	<u>Lump Sum</u> Lump Sum		
63	Work as Specified for CPL Station 525+85 - 12" Pumpout Riser with 24" Manhole Assembly	<u>Lump Sum</u> Lump Sum		
64	Work as Specified for CPL Station 536+31 - 4" CARV with 24" Manhole Assembly	<u>Lump Sum</u> Lump Sum		
65	Work as Specified for CPL Station 552+13 - 12" Pumpout Riser with 12" Plug Valve Assembly	<u>Lump Sum</u> Lump Sum		
66	Work as Specified for CPL Station 567+39 - 24" Manhole Assembly	<u>Lump Sum</u> Lump Sum		
67	Work as Specified for CPL Station 584+43 - 24" Manhole Assembly	<u>Lump Sum</u> Lump Sum		
68	Work as Specified for CPL Station 599+28 - 24" Manhole Assembly	<u>Lump Sum</u> Lump Sum		
69	Work as Specified for CPL Station 618+01 - 24" Manhole Assembly	<u>Lump Sum</u> Lump Sum		
70	Work as Specified for CPL Station 631+20 - 8" CARV Assembly	<u>Lump Sum</u> Lump Sum		
71	Work as Specified for CPL Station 636+44 - 24" Manhole Assembly	<u>Lump Sum</u> Lump Sum		
72	Work as Specified for CPL Station 658+30 - 8" CARV Assembly	<u>Lump Sum</u> Lump Sum		
73	Work as Specified for CPL Station 659+75 - 24" Manhole Assembly	<u>Lump Sum</u> Lump Sum		
74	Work as Specified for CPL Station 661+35 – Post Mounted Test Station	<u>Lump Sum</u> Lump Sum		
75	Work as Specified for CPL Station 665+22 - 6" CARV with 24" Manhole Assembly	<u>Lump Sum</u> Lump Sum		

(Rev. 7/24/19)



REVISED BID FORM NO. 1  
**Proposal and Bid Items**

Page 6 of 7

*This form must be completed in ink and changes must be initialed.*

ITEM NO.	DESCRIPTION OF WORK	APPROXIMATE QUANTITY UNIT	UNIT PRICE	TOTAL
76	Work as Specified for PEP Station 11+75 – 10" CARV Assembly	<u>Lump Sum</u> Lump Sum		
77	Work as Specified for PEP Station 23+22 – 2" ARV Assembly	<u>Lump Sum</u> Lump Sum		
78	Work as Specified for PEP Station 28+30 – 10" CARV Assembly	<u>Lump Sum</u> Lump Sum		
79	Work as Specified for PEP Station 47+40 – 2" ARV Assembly	<u>Lump Sum</u> Lump Sum		
80	Work as Specified for PEP Station 57+60 – 10" CARV Assembly	<u>Lump Sum</u> Lump Sum		
81	Work as Specified for PEP Station 61+90 – 2" ARV Assembly	<u>Lump Sum</u> Lump Sum		
82	Work as Specified for PEP Station 69+90 – 10" CARV Assembly	<u>Lump Sum</u> Lump Sum		
83	Work as Specified for PEP Station 73+70 – 2" ARV Assembly	<u>Lump Sum</u> Lump Sum		
84	Work as Specified for PEP Station 84+90 – 10" CARV Assembly	<u>Lump Sum</u> Lump Sum		
85	Work as Specified for PEP Station 89+75 – 2" ARV Assembly	<u>Lump Sum</u> Lump Sum		
86	Work as Specified for PEP Station 95+00 – 10" CARV Assembly	<u>Lump Sum</u> Lump Sum		
87	Work as Specified for PEP Station 113+50 – 2" ARV Assembly	<u>Lump Sum</u> Lump Sum		
88	Work as Specified for PEP Station 120+46 – 2" ARV Assembly	<u>Lump Sum</u> Lump Sum		
89	Work as Specified for PEP Station 133+70 – 10" CARV Assembly	<u>Lump Sum</u> Lump Sum		
	<b>TOTAL BASE BID</b>			





REVISED BID FORM NO. 1  
**Proposal and Bid Items**

Page 7 of 7

This form must be completed in **ink** and changes must be **initialed**.

<b>SECTION B SUPPLEMENTAL BID ITEMS</b>				
These Bid items may or may not be required. They may be deleted entirely or in part, By deductive change order(s), at the sole discretion of the District.				
ITEM NO.	DESCRIPTION OF ITEM	APPROXIMATE QUANTITY UNIT	UNIT PRICE	TOTAL
90	Carbon Fiber Reinforcement for PCCP – SUPPLEMENTAL WORK	<u>8</u> SECTIONS		
91	Cement Mortaring for Internal Pipeline Repairs – SUPPLEMENTAL WORK	<u>500</u> SQUARE FEET		
92	Welding for Internal Pipeline Repairs – SUPPLEMENTAL WORK	<u>100</u> LINEAR INCHES		
93	Internal Pipeline Debris Removal Work – SUPPLEMENTAL WORK	<u>150</u> CUBIC FET		
94	Internal Pipeline Weko-Seal Installation – SUPPLEMENTAL WORK	<u>5</u> EACH		
95	Additional Potholing to Locate Utilities – SUPPLEMENTAL WORK	<u>10</u> EACH		
96	<b>Professionally Facilitated Project Partnering – SUPPLEMENTAL WORK</b>	<b>FIXED COST</b>	<b>\$25,000.00</b>	<b>\$25,000.00</b>
Section B Subtotal				
<b>TOTAL BID</b> (Section A Subtotal + Section B Subtotal)				

**Attachment 2:**  
**Appendix E – County of Santa Clara General Notes**

## County of Santa Clara General Notes

### Erosion and Sediment Control Notes:

1. The Utility Company, their employees, subcontractors, and/or any person performing construction activities shall install and maintain construction Best Management Practices (BMPs) on the project site and within the Santa Clara County Road Right of Way throughout the duration of construction and until the establishment of permanent stabilization and sediment control to prevent the discharge of pollutants including sediment, construction materials, excavated materials, waste materials into the Santa Clara County Road Right of Way, storm sewer waterways, and roadway infrastructure. BMPs shall include, but not be limited to, the following:
  - a. Prevention of pollutants in storm water discharges from the construction site and the contractor's material and equipment laydown/staging areas,
  - b. Prevention of tracking of mud, dirt and construction materials onto public road right of way, and
  - c. Prevention of discharge of water runoff during dry and wet weather conditions onto public road right of way.
2. The Utility Company, their employees, subcontractors, and/or any person performing construction activities shall ensure that all temporary construction facilities, including but not limited to construction materials, deliveries, hazardous and non-hazardous material storage, equipment, tools, portable toilets, concrete washout, garbage containers, laydown yards, secondary containment areas, etc. are located outside the Santa Clara County Road Right of Way.

### Permanent Monuments/Monument Preservation Notes:

1. The landowner, contractor and/or any person performing construction activities that will or may disturb an existing monument, corner stake, or any other permanent surveyed monument shall cause to have a licensed land surveyor or civil engineer, authorized to practice surveying, ensure that a corner record and/or record of survey are filed with the County Surveyor's office prior to disturbing said monuments and reset permanent monument(s) in the surface of the new construction or set a witness monument(s) to perpetuate the location if any permanent monument could be destroyed, damaged, covered, disturbed, or otherwise obliterated. The licensed land surveyor or civil engineer shall file a corner record or record of survey with County Surveyor prior to final close-out of the Encroachment Permit by the Roads & Airports inspector.

### Improvement Plan Construction Notes:

1. All Work in the County Road Right of Way requires an encroachment permit from the Roads and Airports Department. Each individual activity requires a separate permit – i.e. retaining walls, driveway approaches, temporary construction entrances, fences, landscaping, tree removal, storm drainage improvements, all utility operations (relocations, replacements, abandonments, temporary facilities, and/or new facilities for cable, electric, gas, sewer, water), etc.

### Road Operations Notes:

1. There is a 5-yr warranty when the project is completed (Reference to County Ordinance NS-7039, Section B17-36.4). County's Roads Operations Engineering will be the one to determine what constitute failure based on acceptable industry standards including cracks and separation in the

microsurfacing, settlement where the trench repairs took place, damaged pavement edges along the trenches are considered failures.

2. When trenching is to occur on County Maintain Roads, trench plates are to be h-20 load rated, skid resistant, and recessed flush to the existing paved surface. Cut-back and/or cold mix will not be allowed as temporary roadway surface backfill in travelled ways unless prior approval is given.
3. When any pavement restoration at this site must be curb to curb/lane line and Microsurfaced using a Type II slurry mix per county standards, "111-12-.09 Micorsurfacing, Type II", The Microsurfacing mixture shall be of the proper consistency at all times, so as to provide the application rate required by the surface condition. The average single application rate, as measured by the County, shall be **15 lb/sy(+/-1 lb/sy).**
4. Contractor shall be responsible for restoring pavement to like or better condition. Any striping in County ROW shall be thermoplastic and replaced per existing striping. All vertical asphalt cuts must be tack coated prior to asphalt placement.

**Signal and Electrical Operations Notes:**

1. Existing County communication and electrical facilities are located in the project area. Communication fiber optic cable damaged by the Contractor's operations shall be temporarily restored and then replaced in accordance with CSS 86.01.06. Damaged fiber optic cable shall be replaced for the entire length between existing end-to-end splices.
2. Any damage to existing electrical or communication system such as loop detectors and fiber optics shall be temporarily restored to full operation or via microwave/video detection immediately and replaced prior to project closure.
3. All design within County's right-of-way shall comply with County standards.
4. Information shown on as-built plans is subject to change. Field-verify and update conductor schedule accordingly. Contractor will be responsible for any damage pertaining to loops/fiber. Contractor needs to replace detection loops within 24 hours if damaged. Contractor needs to provide temporary video detection during the construction period, and call USA before digging.

**Attachment 3:**

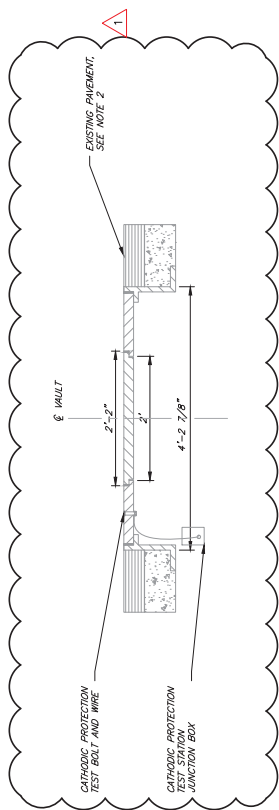
**Appendix K – Electrical and Instrumentation Work Roles and Responsibilities**

<b>Description of Work</b>	<b>Responsible Party</b>	<b>Specification References</b>
Electrical Service Disconnection at Coyote Blowoff and Lower Los Gatos Turnout	<b>PG&amp;E</b>	N/A
Electrical Isolation/Lockout Tagout at all other sites	<b>Contractor</b>	37.01.1.01.B
Demolish and install new connection wires, cables, conduits, electrical equipment, and instrumentation	<b>Contractor</b>	37.04
Factory testing and field testing of actuators	<b>Actuator Vendor</b>	38.01.3.03.A.1 38.01.3.03.B 38.01.3.03.D
Provide temporary power for field actuator testing	<b>Actuator Vendor</b>	22.04.01.C.9
Connection to terminal of actuators and RTU panel	<b>District Staff</b>	37.01.1.01.B.4
Testing, Calibration, and Commissioning	<b>Contractor</b>	38.17.1.01.B
Electrical Meter Release Notice	<b>District Staff</b>	N/A

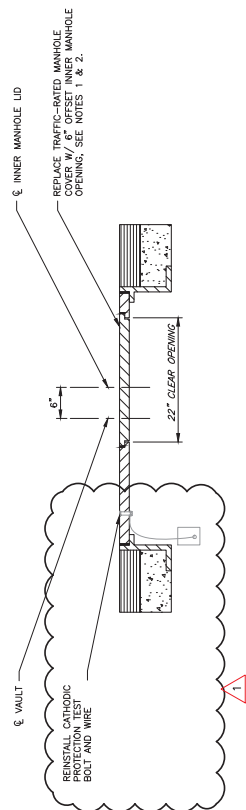
**Attachment 4:**  
**Revised Drawings – C-32 to 6E-03**



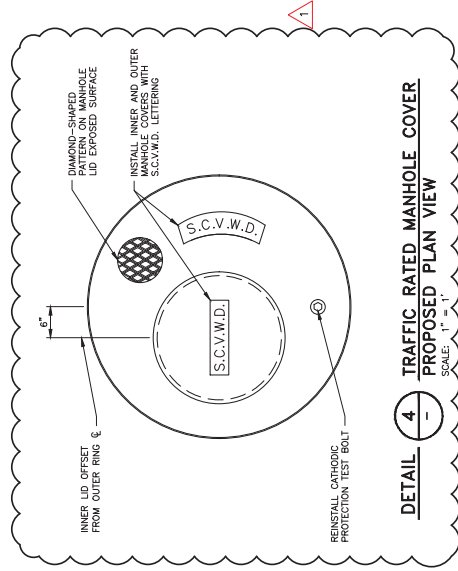




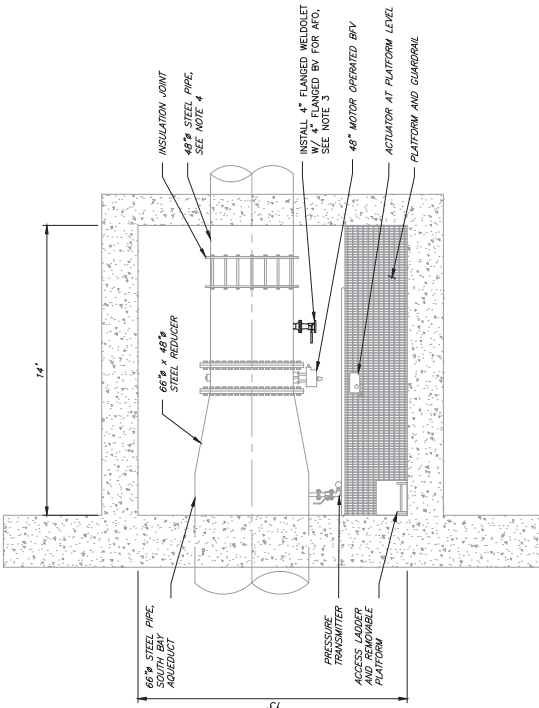
**DETAIL 1** - EXISTING TRAFFIC RATED MANHOLE COVER  
SCALE: 1" = 1"



**DETAIL 2** - TRAFFIC RATED MANHOLE COVER  
SCALE: 1" = 1"



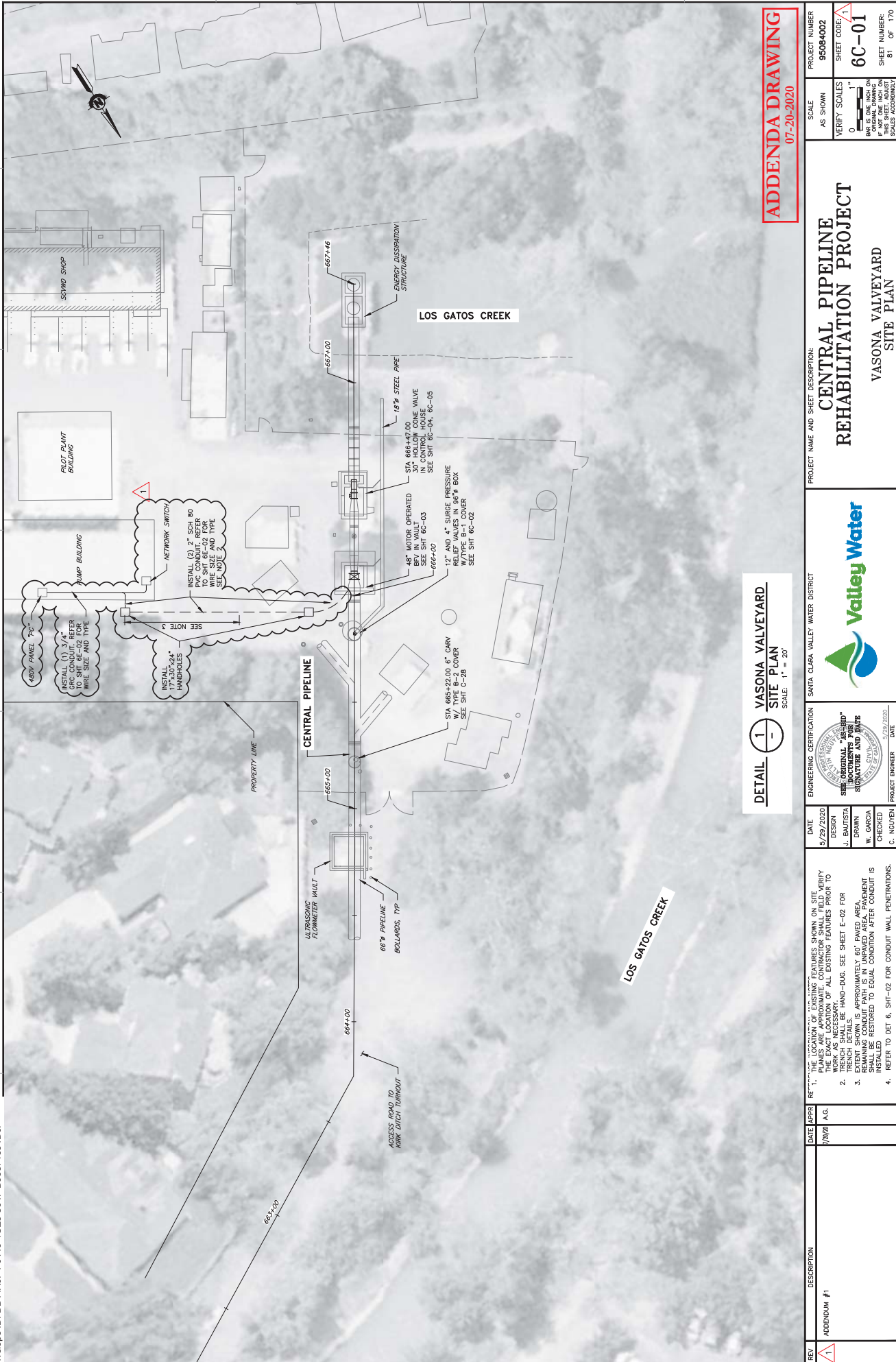
**DETAIL 4** - TRAFFIC RATED MANHOLE COVER PROPOSED PLAN VIEW  
SCALE: 1" = 1"



**DETAIL 3** - EXISTING PIEDMONT VALVE YARD LINE VALVE VAULT  
SCALE: 1" = 3"

REV	DESCRIPTION	DATE	BY	APP'D	REFERENCE INFORMATION AND NOTES	DATE	DESIGN	ENGINEERING CERTIFICATION	PROJECT NAME AND SHEET DESCRIPTION	SCALE	PROJECT NUMBER
1	ADDENDUM #1	7/20/20	A.G.		1. REQUIREMENTS: 2. CONTRACTOR SHALL REMOVE EXISTING PAVEMENT AS SHOWN AND SHALL REPAIR PAVEMENT PER CITY & COUNTY STANDARDS. 3. LOCATION OF ASSEMBLY SHALL BE FIELD LOCATED PRIOR TO CONSTRUCTION. 4. PIPE INCREASES TO 66".	5/29/2020	A. GALLEGO	SEE ORIGINAL "AS-BUILT" DOCUMENTS FOR SIGNATURE AND DATE	CENTRAL PIPELINE REHABILITATION PROJECT	AS SHOWN	95084002
							A. GALLEGO		MANHOLE COVER & AFO SPECIAL NOZZLE	VERIFY SCALES	C-32
							C. NUUYEN	3/29/2020		0	

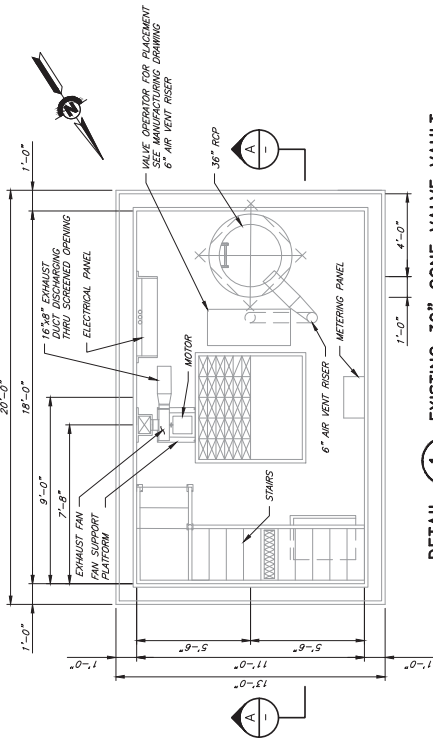
**ADDENDA DRAWING**  
07-20-2020



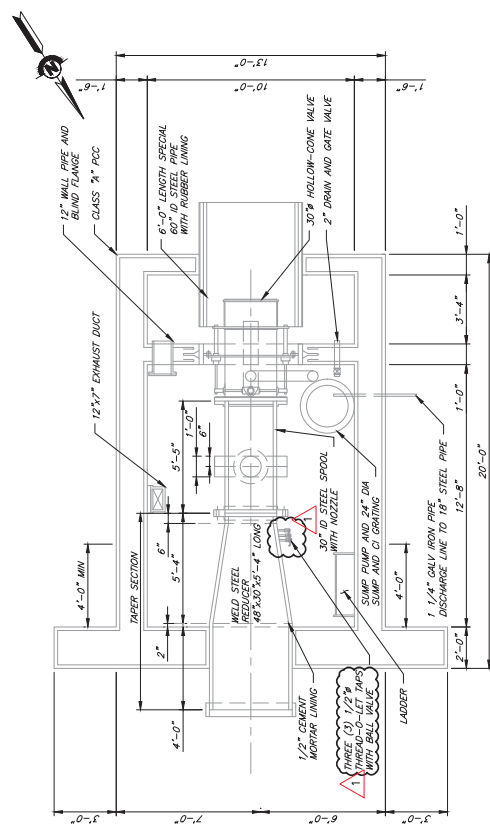
ADDENDA DRAWING  
07-20-2020

**DETAIL 1**  
VASONA VALLEYARD  
SITE PLAN  
SCALE: 1" = 20'

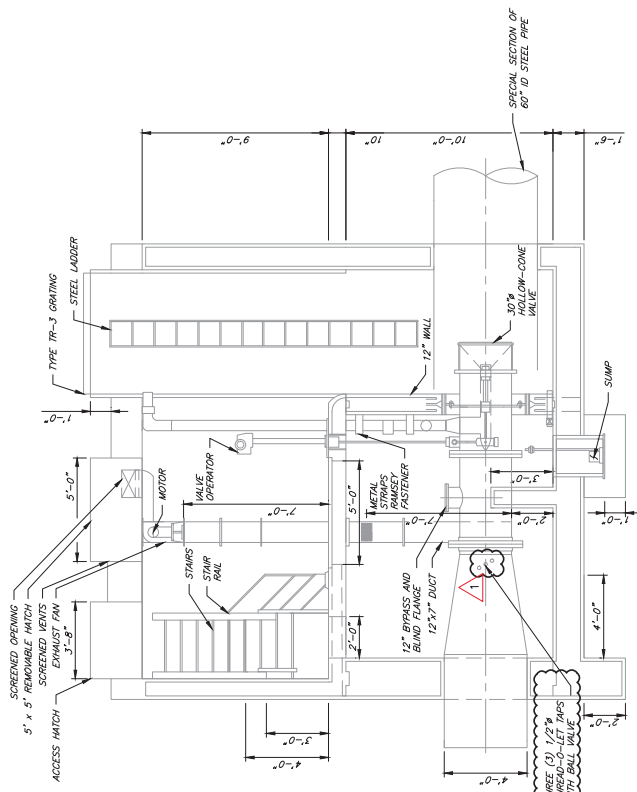
<b>REV</b>	<b>DESCRIPTION</b>	<b>DATE APPROVED</b>	<b>DATE</b>	<b>ENGINEERING CERTIFICATION</b>	<b>PROJECT NAME AND SHEET DESCRIPTION</b>	<b>SCALE</b>	<b>PROJECT NUMBER</b>
1	ADDENDUM #1	7/20/20	5/29/2020	 SEE ORIGINAL SEAL AND DOCUMENTS FOR SIGNATURE AND DATE PROJECT ENGINEER: DATE: 5/29/2020	CENTRAL PIPELINE REHABILITATION PROJECT VASONA VALLEYARD SITE PLAN	AS SHOWN VERIFY SCALES 0 1" = 20' (BASED ON THE DRAWING) IF NOT ONE INCH ON DRAWING, SCALES ACCORDINGLY	95084002 6C-01 81 OF 170



**DETAIL 1** **EXISTING 30" CONE VALVE VAULT TOP SLAB PLAN VIEW**  
SCALE: 1" = 3'



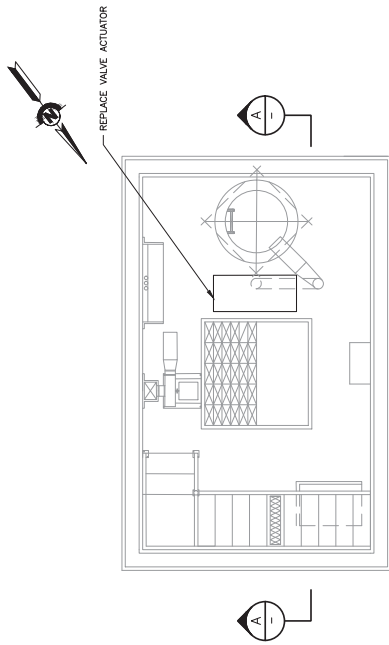
**DETAIL 2** **EXISTING 30" CONE VALVE VAULT BOTTOM SLAB PLAN VIEW**  
SCALE: 1" = 3'



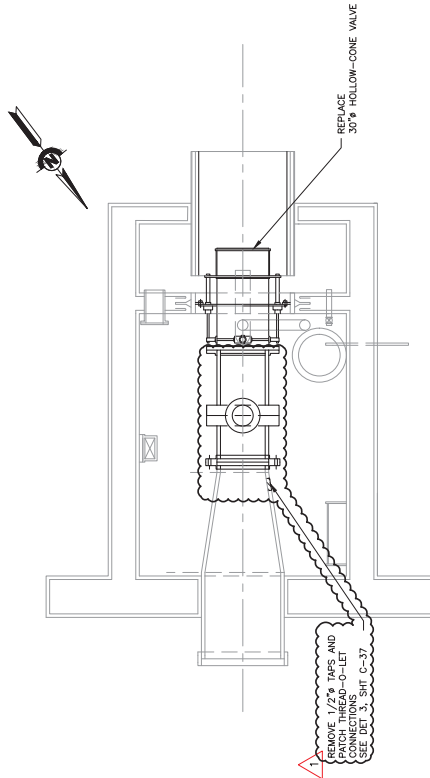
**SECTION A** **EXISTING 30" CONE VALVE VAULT**  
SCALE: 1" = 3'

REV	DESCRIPTION	DATE	APPROV	REFERENCE INFORMATION AND NOTES	DATE	ENGINEERING CERTIFICATION	SANTA CLARA VALLEY WATER DISTRICT	PROJECT NAME AND SHEET DESCRIPTION	SCALE	PROJECT NUMBER
1	ADDENDUM #1	7/20/18	A.G.		5/29/2020			<b>CENTRAL PIPELINE REHABILITATION PROJECT</b> EXISTING VASONA VALVEYARD 30" EMO CONE VALVE AND CONTROL HOUSE	AS SHOWN	95084002
									VERIFY SCALES	SHEET CODE: <b>A</b>
									0	<b>6C-04</b>
									1"	SHEET NUMBER: 84 OF 170

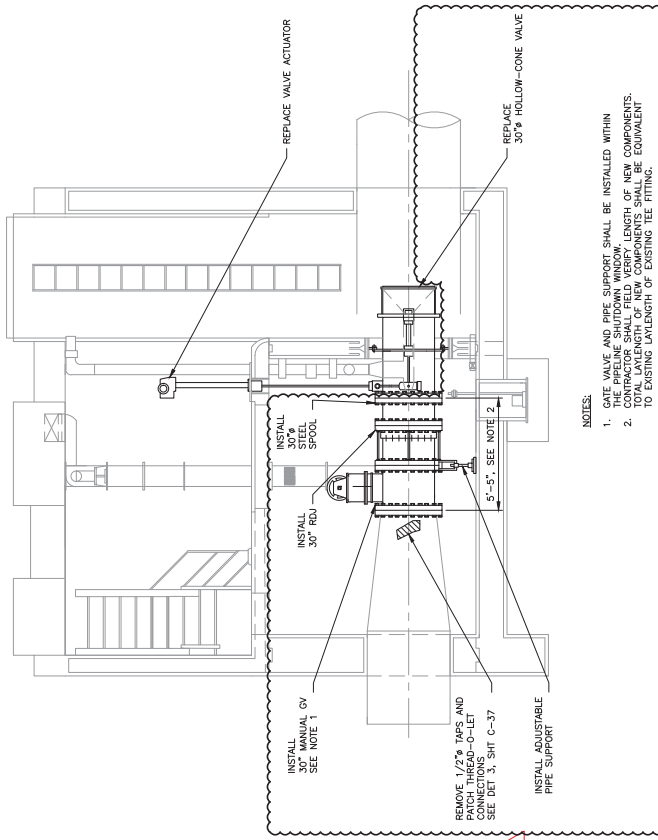
**ADDENDA DRAWING**  
07-20-2020



**DETAIL 1** PROPOSED 30" CONE VALVE VAULT  
TOP SLAB PLAN VIEW  
SCALE: 1" = 3'



**DETAIL 2** PROPOSED 30" CONE VALVE VAULT  
BOTTOM SLAB PLAN VIEW  
SCALE: 1" = 3'



- NOTES:
1. CONE VALVE AND PIPE SUPPORT SHALL BE INSTALLED WITHIN THE PIPELINE SHUTDOWN WINDOW. CONTRACTOR SHALL FIELD VERIFY LENGTH OF NEW COMPONENTS. CONTRACTOR SHALL FIELD VERIFY LENGTH OF NEW COMPONENTS TO EXISTING LENGTH OF EXISTING PIPE FITTING.
  2. CONTRACTOR SHALL FIELD VERIFY LENGTH OF NEW COMPONENTS TO EXISTING LENGTH OF EXISTING PIPE FITTING.

**SECTION A** PROPOSED 30" CONE VALVE VAULT  
SCALE: 1" = 3'

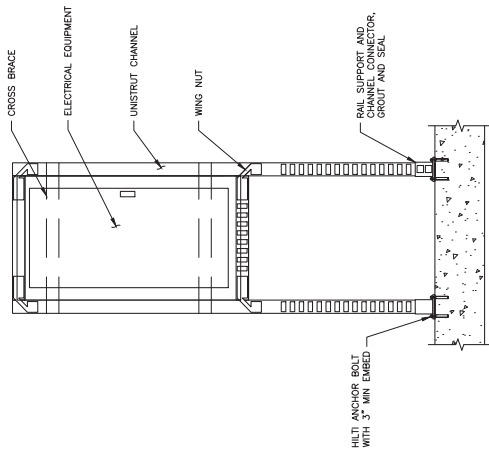
**ADDENDA DRAWING**  
07-20-2020

REV	DESCRIPTION	DATE	APPROVED	REFERENCE INFORMATION AND NOTES	DATE	ENGINEERING CERTIFICATION	PROJECT NAME AND SHEET DESCRIPTION	SCALE	PROJECT NUMBER
1	ADDENDUM #1	7/20/20	A.G.		5/29/2020	SEE ORIGINAL "AS-BUILT" DOCUMENTS FOR SIGNATURE AND DATE	SANTA CLARA VALLEY WATER DISTRICT	AS SHOWN	95084002
					DESIGN J. GONG			VERIFY SCALES	SHEET CODE: A1
					DRAWN J. GONG			0	6C-05
					CHECKED C. NGUYEN			1"	
								IF NOT ONE INCH ON THIS SHEET, VERIFY SCALES ACCORDINGLY	SHEET NUMBER: 85 OF 170

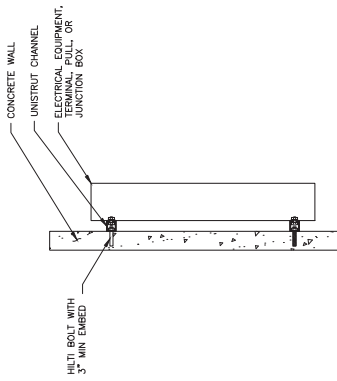
**CENTRAL PIPELINE REHABILITATION PROJECT**  
PROPOSED VASONA VALVEYARD 30" EMO CONE VALVE & CONTROL HOUSE



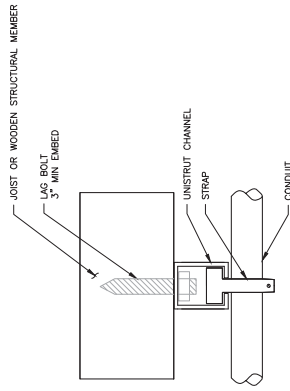




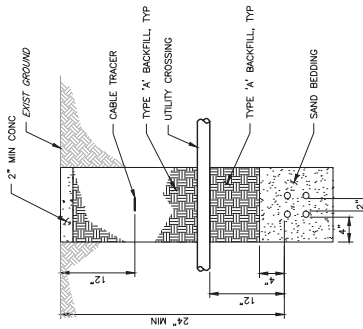
**DETAIL 1** ELECTRICAL EQUIPMENT FLOOR MOUNTING  
SCALE: NTS



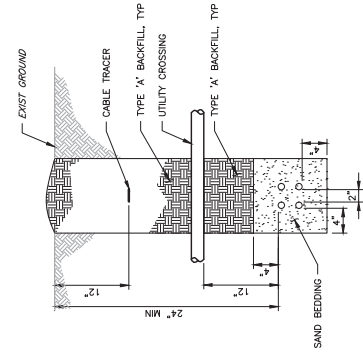
**DETAIL 2** ELECTRICAL EQUIPMENT WALL MOUNTING  
SCALE: NTS



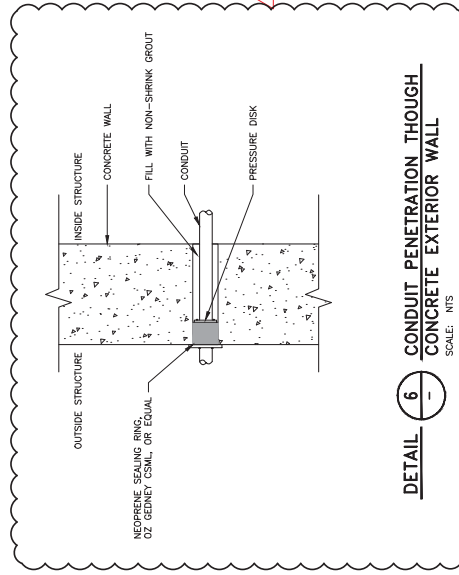
**DETAIL 3** WOODEN CEILING CONDUIT SUPPORT  
SCALE: NTS



**DETAIL 4** ELECTRICAL TRENCH IN PAVED AREA  
SCALE: NTS



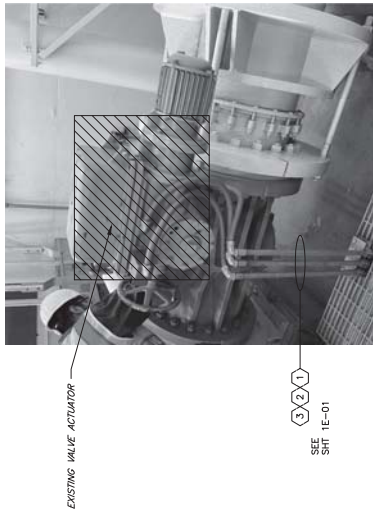
**DETAIL 5** ELECTRICAL TRENCH IN UNPAVED AREA  
SCALE: NTS



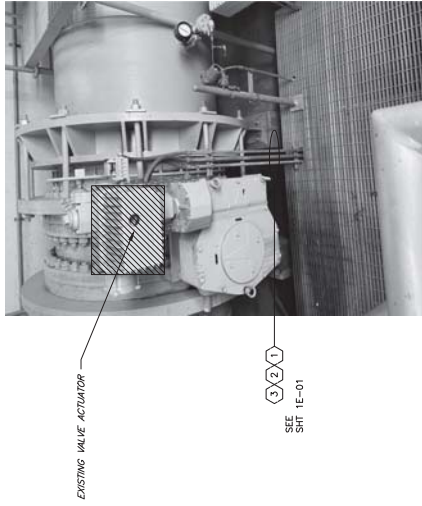
**DETAIL 6** CONDUIT PENETRATION THROUGH CONCRETE EXTERIOR WALL  
SCALE: NTS

**ADDENDA DRAWING**  
07-20-2020

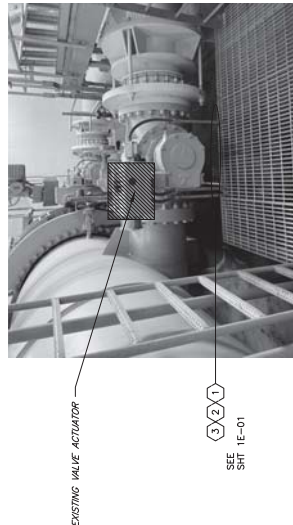
REV	DESCRIPTION	DATE	APPRO	REFERENCE INFORMATION AND NOTES	DATE	ENGINEERING CERTIFICATION	SANTA CLARA VALLEY WATER DISTRICT	PROJECT NAME AND SHEET DESCRIPTION	SCALE	PROJECT NUMBER
1	ADDENDUM #1	7/20/20	A.G.		5/29/2020	SEE ORIGINAL "AS SHOWN" DOCUMENTS FOR SIGNATURE AND DATE		CENTRAL PIPELINE REHABILITATION PROJECT	AS SHOWN	95084002
									VERIFY SCALES	SHEET CODE
									0	E-02
									FOR ALL WORK ON THIS SHEET, VERIFY ALL SCALES AND DIMENSIONS. IF NOT ONE INCH ON ANY SCALE, ADDRESS IT AS SHOWN.	SHEET NUMBER
										87 OF 170
								GENERAL ELECTRICAL DETAILS		



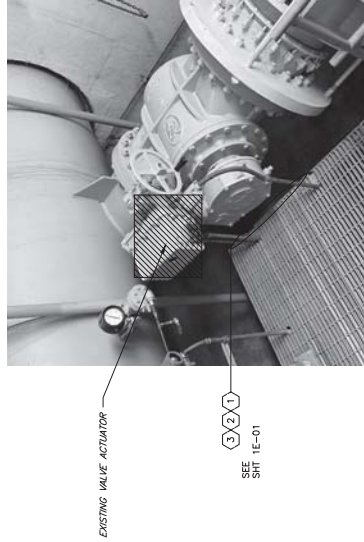
**DETAIL 1** **GUADALUPE LINE VALVE VAULT**  
**24" BLOWOFF BUTTERFLY VALVE ACTUATOR**  
 SCALE: NTS



**DETAIL 3** **GUADALUPE LINE VALVE VAULT**  
**66" LINE BUTTERFLY VALVE ACTUATOR**  
 SCALE: NTS



**DETAIL 2** **GUADALUPE LINE VALVE VAULT**  
**24" WEST BUTTERFLY VALVE ACTUATOR**  
 SCALE: NTS



**DETAIL 4** **GUADALUPE LINE VALVE VAULT**  
**24" EAST BUTTERFLY VALVE ACTUATOR**  
 SCALE: NTS

**PANEL ID: PANEL A**

LOCATION: GUADALUPE LINE VALVE VAULT  
 VOLTAGE: 240/120V 3P-4W DELTA, B HIGH  
 WAVE: 100 AMPS

KVA/RATING CAPACITY:

DESCRIPTION	SA	SB	SC	SD	SE	SF	SG	SH	SI	SJ	SK	SL	SM	SN	SO	SP	DESCRIPTION
66" LINE VALVE	X	X	X	X	X	X	X	X	X	X	X	X	X	X	X	X	EAST BYPASS VALVE
BLOWOFF VALVE	X	X	X	X	X	X	X	X	X	X	X	X	X	X	X	X	WEST BYPASS VALVE
LIGHTS	1	15	13	X	14	20	1										RECEPTACLES
NOT USABLE																	NOT USABLE
EXHAUST FAN	1	20	19	X	18												NOT USABLE
NOT USABLE																	NOT USABLE
STARTING RECIPER	1	20	23	X	24	15	1										BATTERY CHARGER
NOT USABLE																	NOT USABLE
SPARE	1	15	29	X	30	15	1										GENERATOR HEATER

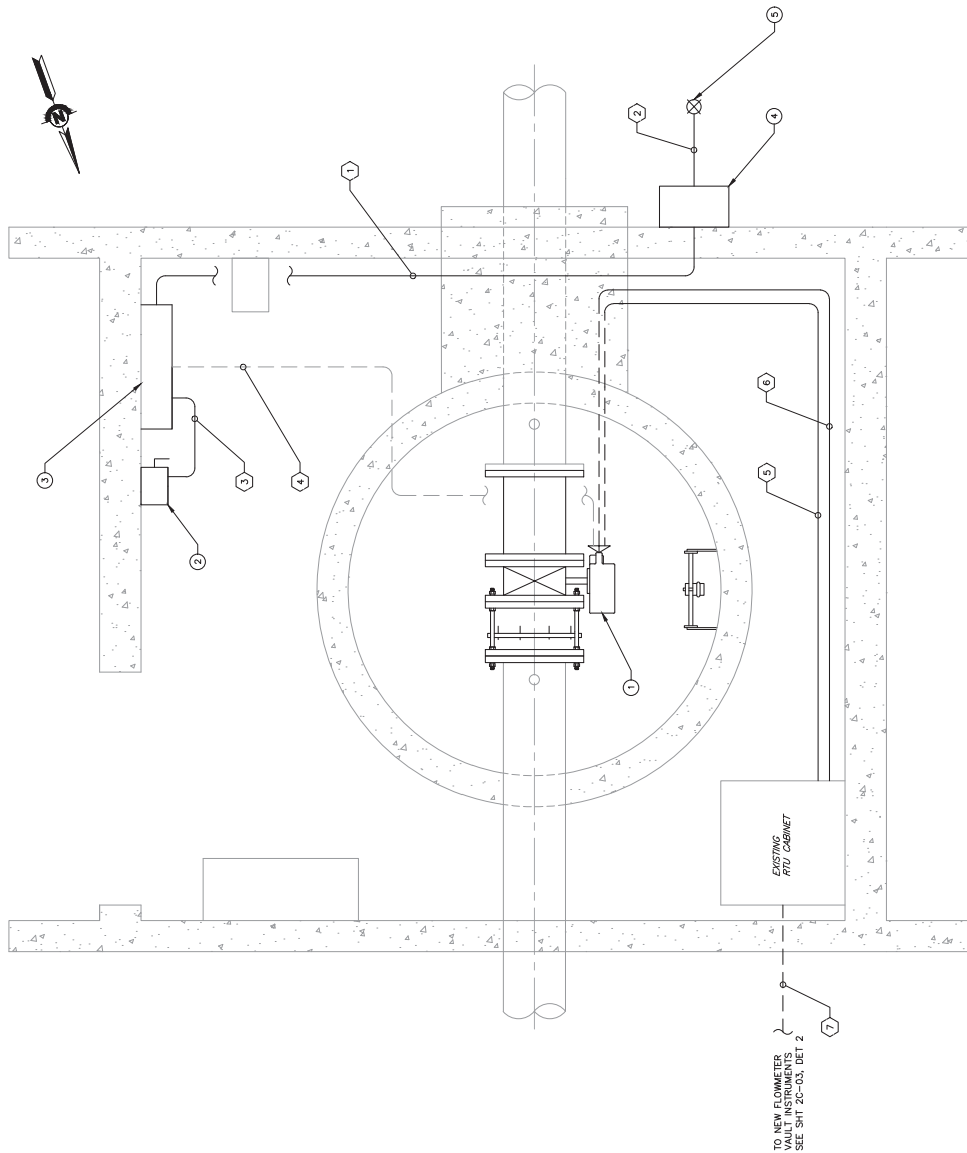
**ADDENDA DRAWING**  
 07-20-2020

PROJECT NAME AND SHEET DESCRIPTION: <b>CENTRAL PIPELINE REHABILITATION PROJECT</b>	SCALE: AS SHOWN	PROJECT NUMBER: 95084002
VERIFY SCALES: 0	SHEET CODE: 1E-02	SHEET NUMBER: 88 OF 170
GUADALUPE LINE VALVE VAULT PANEL SCHEDULE AND DETAILS		



ENGINEERING CERTIFICATION	SANTA CLARA VALLEY WATER DISTRICT
DATE: 5/29/2020	DESIGN: A. CAVALLERO
DRAWN: A. GALEGGI	CHECKED: R. RAMIREZ
DATE: 5/29/2020	DATE:

REV	DESCRIPTION	DATE	APPR	REFERENCE INFORMATION AND NOTES
1	ADDENDUM #1	7/20/20	A.G.	



**DETAIL 1 - LOWER LOS GATOS TURNOUT VAULT ELECTRICAL PLAN VIEW**  
SCALE: NIS

**CONDUIT AND WIRE SCHEDULE**

#	SIZE	TYPE	WIRE	CONDUIT	REMARKS
1	2"	PWR	3#2+1#0 THWN	GR	SEE NOTE 4 SEE DETAIL 6 SHEET E-02
2	3/4"	PWR	1#6 BARE CU	GR	
3	3/4"	PWR	6#12+1#20 THWN	GR	
4	3/4"	PWR	3#12+1#20 THWN	GR	SEE NOTE 3
5	3/4"	CTRL	1#16 TSP	GR	SEE NOTE 2
6	1"	CTRL	12#14 MTW	GR	SEE NOTE 2
7	1"	CTRL	2#16 TSP	SCH 80 PVC	SEE NOTE 7 SEE DETAIL 6 SHEET E-02

**MATERIAL LIST**

#	DESCRIPTION	REMARKS
1	12" BUTTERFLY TURNOUT VALVE ACTUATOR	SEE NOTE 6, SEE DETAIL 3, SHEET 2E-02
2	25A NON-FIBER VALVE ACTUATOR DISCONNECT SWITCH	
3	PANELBOARD	SEE NOTE 1, SEE DETAIL 2, SHEET 2E-02
4	METERED ELECTRICAL SERVICE DISCONNECT	SEE DETAIL 1, SHEET 2E-02
5	GROUND ROD	SEE NOTE 5

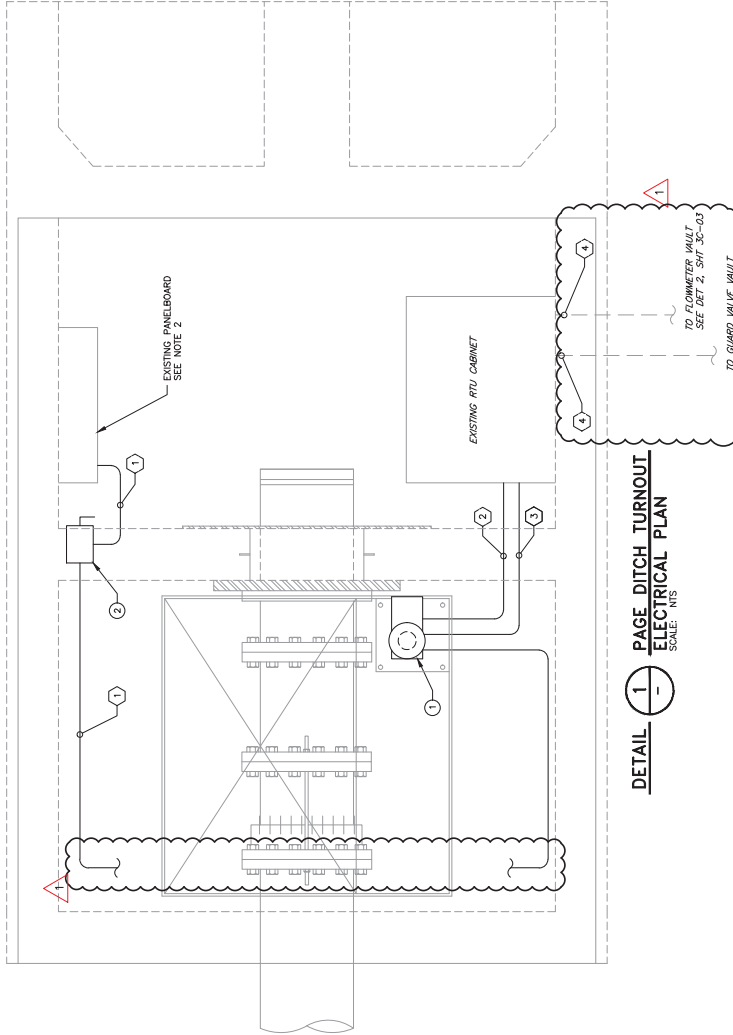
**GENERAL NOTE:**  
1. CONTRACTOR SHALL ADJUST ELECTRICAL SERVICE INSTALLATION TO COMPLY WITH POSE REQUIREMENTS. ELECTRICAL WORK FROM THE POSE TRANSFORMER TO THE ELECTRIC METER SHALL COMPLY WITH THE POSE GREENBOOK REQUIREMENTS.

**NOTES:**  
1. REMOVE EXISTING PANELBOARDS AND REPLACE WITH NEW. EXISTING WIRING NOT LISTED IN SCHEDULE AND WIRE SCHEDULE SHALL BE RE-TERMINATED AFTER REPLACEMENT. MODIFY EXISTING CONDUIT AS NECESSARY TO MAKE CONNECTION TO NEW PANELBOARD. HIGH LEG IN EXISTING INSTALLATION IS ON RIGHT SIDE OF PANELBOARD. CONTRACTOR SHALL DEMO EXISTING RACEWAY FROM RTU CABINET TO VALVE ACTUATOR AND INSTALL NEW RACEWAY AS INDICATED, FOLLOWING THE EXISTING PATHWAY. CONTRACTOR SHALL BURY CONDUIT WITH MINIMUM COVER REQUIREMENTS FOR NEW INSTALLATION.  
2. CONTRACTOR SHALL REMOVE EXISTING CONDUCTORS AND EXISTING SWITCH IN VALVE ACTUATOR PIT. DEMO EXISTING CONDUIT FROM SERVICE ENTRANCE TO PANELBOARD AND REPLACE WITH NEW.  
3. PROVIDE AND INSTALL NEW PRECAST CONCRETE WELL CONTAINING GROUND ROD.  
4. CONTRACTOR SHALL DEMO EXISTING CONDUIT FROM SERVICE ENTRANCE TO PANELBOARD AND REPLACE WITH NEW.  
5. SEE DETAILS 4 AND 5 SHEET E-02 FOR NEW ELECTRICAL TRENCH DETAIL.

REV	DESCRIPTION	DATE	APPROVED	REFERENCE INFORMATION AND NOTES	ENGINEERING CERTIFICATION	SANTA CLARA VALLEY WATER DISTRICT	PROJECT NAME AND SHEET DESCRIPTION	SCALE	PROJECT NUMBER
1	ADDENDUM #1	5/29/2020	7/20/20		SEE ORIGINAL AND ADDENDUM #1 FOR SIGNATURE AND DATE		CENTRAL PIPELINE REHABILITATION PROJECT	AS SHOWN	95084002
		DESIGN	A. CAVALLERO				LOWER LOS GATOS TURNOUT ELECTRICAL PLAN	VERIFY SCALES	SHEET CODE: A
		DRAWN	A. GALLEGO					0	2E-01
		CHECKED	R. RAMIREZ					1"	90 OF 170

**ADDENDA DRAWING**  
07-20-2020





**DETAIL 1** PAGE DITCH TURNOUT ELECTRICAL PLAN  
SCALE: NTS

REV	DESCRIPTION	DATE	APPROV	REFERENCE INFORMATION AND NOTES
1	ADDITION #1	7/20/20	A.G.	
	DESCRIPTION			
1	18" TURNOUT VALVE ACTUATOR			SEE NOTE 1
2	30A NON-FUSED VALVE ACTUATOR DISCONNECT SWITCH			

CONDUIT AND WIRE SCHEDULE					
#	SIZE	TYPE	WIRE	CONDUIT	REMARKS
1	3/4"	PWR	3#12-#12G	GRC	
2	1"	CTRL	12#14 MTW	GRC	
3	3/4"	PWR	1#6 TSP	GRC	
4		CTRL	1#6 TSP		



**DETAIL 2** PAGE DITCH TURNOUT VALVE ACTUATOR  
SCALE: NTS

EXISTING CONDUITS TO VALVE ACTUATOR SEE NOTE 1

EXISTING CONDUIT FROM PANELBOARD TO VALVE ACTUATOR SEE NOTE 1

EXISTING VALVE ACTUATOR

NOTES:  
1. DEMO EXISTING VALVE ACTUATOR AND REPLACE WITH NEW. DEMO EXISTING CONDUIT AND REUSE EXISTING CONDUIT FOR VALVE ACTUATOR POWER CIRCUIT.  
2. REUSE EXISTING CIRCUIT BREAKER IN PANELBOARD FOR VALVE ACTUATOR POWER CIRCUIT.

**ADDENDA DRAWING**  
07-20-2020

PROJECT NUMBER	95084002
SCALE	AS SHOWN
SHEET CODE	A
SHEET NUMBER	3E-01
SHEET NUMBER	92 OF 170

PROJECT NAME AND SHEET DESCRIPTION  
**CENTRAL PIPELINE REHABILITATION PROJECT**  
PAGE DITCH T/O (PDT) ELECTRICAL PLAN



ENGINEERING CERTIFICATION  
SANTA CLARA VALLEY WATER DISTRICT  
SEE ORIGINAL P&ID DOCUMENTS FOR SIGNATURE AND DATE  
3/23/2020

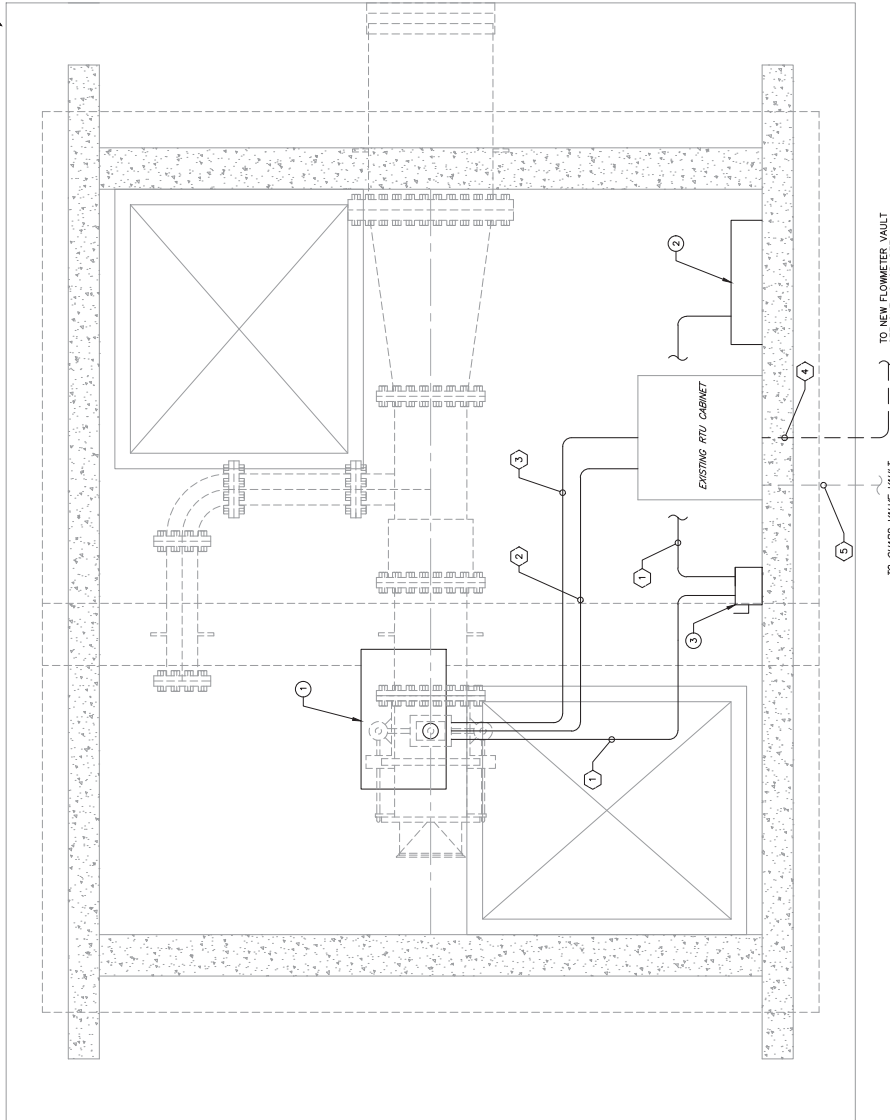
DATE	5/29/2020
DESIGN	M. CAVALLERO
DRAWN	A. GALLEGOS
CHECKED	R. RAMIREZ
PROJECT ENGINEER	DATE

**CONDUIT AND WIRE SCHEDULE**

①	SIZE	TYPE	WIRE	CONDUIT	REMARKS
①	3/4"	PWR	3#12-#120 THWN	GRC	SEE NOTES 2 AND 3
②	3/4"	CTRL	12#14-MTW	GRC	SEE NOTES 2 AND 3
③	3/4"	CTRL	1#16 TSP	GRC	SEE NOTES 2 AND 3
④	1"	CTRL	1#16 TSP	SCH 80 PVC	SEE DETAIL 6, SEE DETAIL 7, SEE SHEET E-02
⑤	1"	CTRL	1#16 TSP		

**MATERIAL LIST**

①	DESCRIPTION	REMARKS
①	14" TURNOUT VALVE ACTUATOR	
②	PANELBOARD	SEE NOTE 1
③	30A NON-FUSED VALVE ACTUATOR DISCONNECT SWITCH	SEE NOTE 2, SEE DETAIL 2 SHEET E-02



**DETAIL 1 - EXISTING CONTROL HOUSE ELECTRICAL PLAN VIEW**  
SCALE: NTS

- NOTES:**
- DEMO EXISTING PANELBOARD AND REPLACE WITH NEW. EXISTING WIRING SHALL BE RE-TERMINATED AFTER REPLACEMENT. MODIFY EXISTING CONDUIT AS NECESSARY TO MAKE CONNECTION TO NEW PANELBOARD. EXISTING PANELBOARD CAN BE REUSED IF IT IS FOUND TO BE IN GOOD CONDITION. CONTRACTOR SHALL RECONFIGURE NEW INSTALLATION TO MAKE IT PHASE HIGH LEG ON 'C' PHASE. CONTRACTOR SHALL RECONFIGURE NEW INSTALLATION TO MAKE 'B' PHASE HIGH LEG.
  - DEMO EXISTING DISCONNECT SWITCH, CONDUIT, AND WIRE TO VALVE ACTUATOR AND REPLACE WITH NEW AS INDICATED IN THIS SHEET.
  - SUPPORT CONDUIT TO VALVE ACTUATOR ALONG ROOF STRUCTURAL MEMBERS. EXISTING UNISTRUT SUPPORT MAY BE REUSED IF POSSIBLE. SEE DETAIL 3 SHEET E-02 IF NEW SUPPORT INSTALLATION IS REQUIRED.
  - SEE DETAILS 4 AND 5 SHEET E-02 FOR NEW ELECTRICAL TRENCH DETAIL.

**ADDENDA DRAWING**  
07-20-2020

SCALE	AS SHOWN	PROJECT NUMBER	95084002
VERIFY SCALES	0	SHEET CODE	A
INDICATE ON DRAWING IF NOT ONE INCH ON SCALE, ACCORDING TO SCALES ACCORDINGLY		SHEET NUMBER	4E-01
			93 OF 170

**CENTRAL PIPELINE REHABILITATION PROJECT**  
**KIRK DITCH TURNOUT ELECTRICAL PLAN**



ENGINEERING CERTIFICATION	SANTA CLARA VALLEY WATER DISTRICT
DATE	5/29/2020
DESIGN	M. CAVALLARO
DRAWN	A. GALEGGI
CHECKED	R. RAMIREZ
PROJECT ENGINEER	DATE
	9/23/2020

REV	DESCRIPTION	DATE	APPROVED BY	REFERENCE INFORMATION AND NOTES
A	ADDENDUM #1	7/20/20	A.G.	

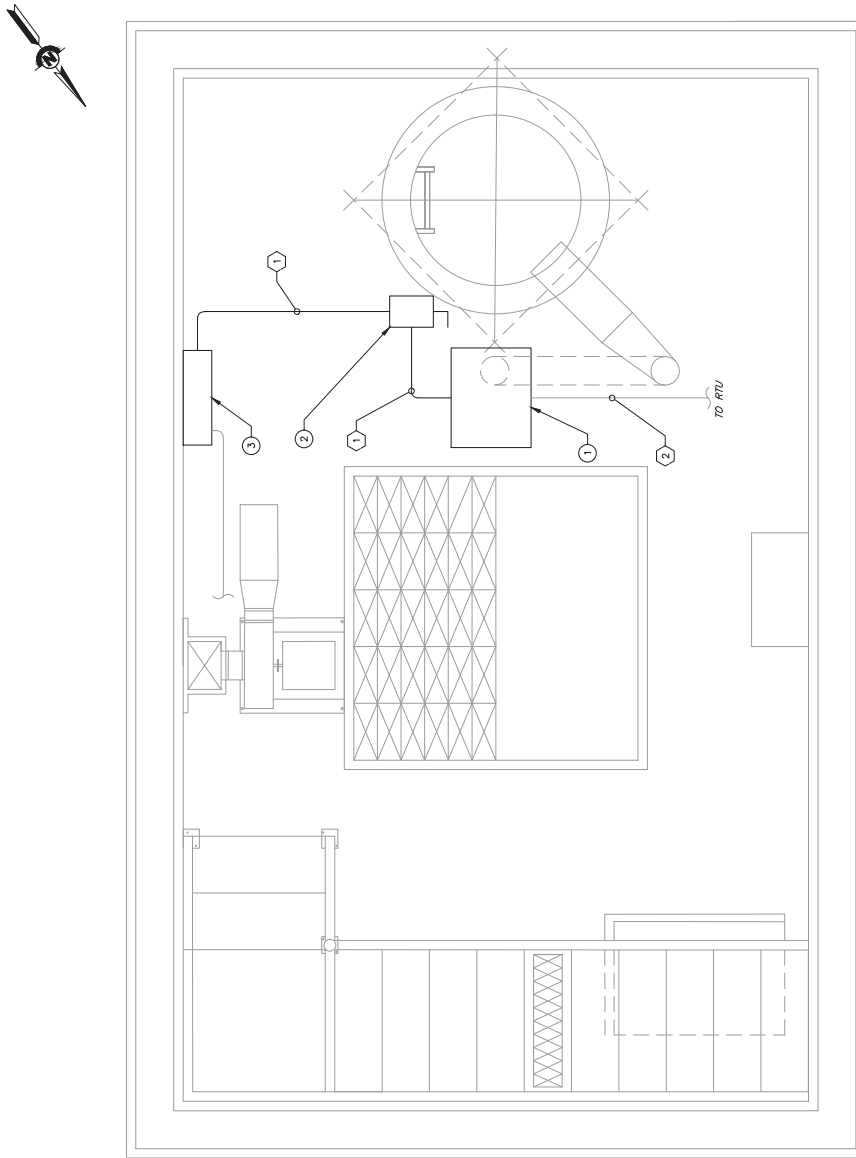
**CONDUIT AND WIRE SCHEDULE**

①	SIZE	TYPE	WIRE	CONDUIT	REMARKS
①	3/4"	PWR	3#12-#12G THWN	GRC	
②	1"	CTRL	12#14 MTW 1#6 TSP	GRC	

**MATERIAL LIST**

①	DESCRIPTION	REMARKS
①	VALVE ACTUATOR	SEE DETAIL 2, SHEET 6E-03
②	30A NON-FIXED VALVE ACTUATOR DISCONNECT SWITCH	SEE DETAIL 2, SHEET 6E-03
③	PANELBOARD	SEE DETAIL 1, SHEET 6E-03

NOTE:  
1. REPAIR EXISTING PANELBOARD AND REWIRE WITH NEW EXISTING WIRING SHALL BE RE-TERMINATED AFTER REPLACEMENT.



**DETAIL 1**  
**EXISTING 30" CONE VALVE VAULT**  
**ELECTRICAL PLAN VIEW**

SCALE: NTS

**ADDENDA DRAWING**  
07-20-2020

PROJECT NUMBER <b>95084002</b>	SCALE AS SHOWN
SHEET CODE <b>6E-01</b>	VERIFY SCALES 0 1" = 1'
SHEET NUMBER 97 OF 170	IF NOT ONE INCH ON THIS SHEET, VERIFY SCALES ACCORDINGLY

**CENTRAL PIPELINE  
REHABILITATION PROJECT**  
YASONA VALVEYARD 30" EMO  
ELECTRICAL PLAN VIEW AND CONDUIT  
AND WIRE SCHEDULE



ENGINEERING CERTIFICATION  
SANTA CLARA VALLEY WATER DISTRICT  
SEE ORIGINAL SIGNATURE AND DATE  
PROJECT ENGINEER DATE  
R. RAMIREZ 3/23/2020

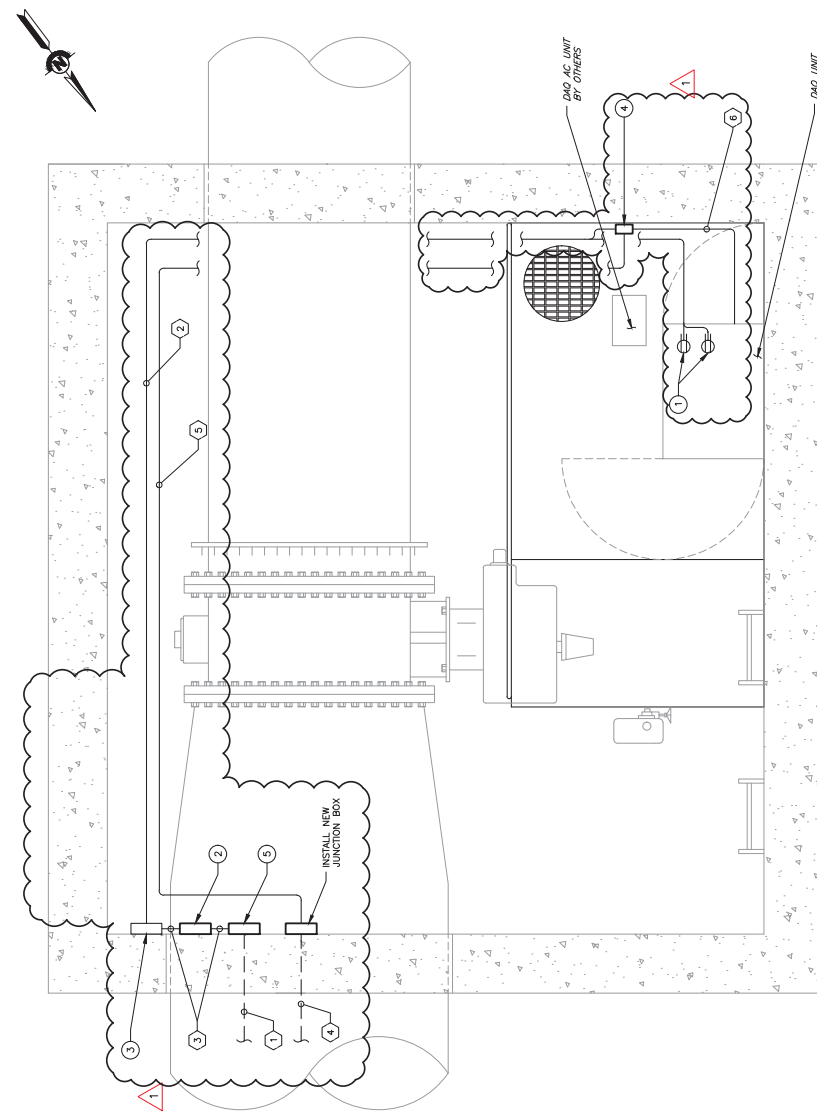
DATE 5/29/2020	DESIGN M. CAVALLARO
DRAWN A. GALLEGOS	CHECKED R. RAMIREZ

REFERENCE INFORMATION AND NOTES

DATE APPROVED 7/20/20	A.G.
--------------------------	------

DESCRIPTION ADDENDUM #1
----------------------------

REV 1	DESCRIPTION
----------	-------------



**DETAIL 1** LINE VALVE VAULT ELECTRICAL PLAN VIEW  
SCALE: NTS

**CONDUIT AND WIRE SCHEDULE**

#	SIZE	TYPE	WIRE	CONDUIT	REMARKS
1	2"	PWR	3#12+#12G THHN	SCH 80 PVC	SEE NOTE 3
2	3/4"	PWR	6#12+#12G THHN	GRC	
3	3/4"	PWR	3#10+#10G THHN	GRC	SEE NOTE 1
4	2"		12 STRAND SINGLE MODE FIBER OPTIC	SCH 80 PVC	SEE NOTE 3
5	1"		12 STRAND SINGLE MODE FIBER OPTIC	GRC	SEE NOTE 3
6	3/4"		CAT 6E ETHERNET	GRC	

**MATERIAL LIST**

#	DESCRIPTION	REMARKS
1	(2) 120V SINGLE OUTLET	SEE NOTE 4
2	480V-208V/120V 10KVA TRANSFORMER	
3	PANELBOARD	
4	24"X24"X12" NEMA 4 ENCLOSURE	
5	60A NON-FUSED DISCONNECT SWITCH	SEE NOTE 4

- NOTES:**
- INSTALL NEW 3P, 15A CIRCUIT BREAKER IN 480/277V PANEL "PC" FOR NEW SUBPANEL IN LINE VALVE VAULT. SEE GC-01 FOR PANEL "PC" LOCATION. APPROPRIATELY LABEL ALL CIRCUITS AND DISCONNECTS. DISCONNECT IT FROM THE MAIN ELECTRICAL PANEL AND DISCONNECT FROM THE MAIN ELECTRICAL PANEL. APPROPRIATELY LABEL ALL DISCONNECTS AND CIRCUITS.
  - INSTALL ALL TERMINATIONS AND CABLING FOR COMPLETE NETWORK COMMUNICATIONS. VERIFY ALL NETWORK COMMUNICATIONS CABLES ARE PROPERLY INSTALLED AND LABELLED. VERIFY ALL NETWORK COMMUNICATIONS CABLES ARE PROPERLY INSTALLED AND LABELLED. VERIFY ALL NETWORK COMMUNICATIONS CABLES ARE PROPERLY INSTALLED AND LABELLED.
  - ENSURE FIBER OPTIC CABLE BEND RADIUS IS NOT EXCEEDED. SEE GC-01 FOR CONTINUATION.
  - INSTALL (2) 120V OUTLETS WITHIN DAO UNIT ENCLOSURE FOR DAO UNIT AND DAO AC UNIT.

**ADDENDA DRAWING**  
07-20-2020

PROJECT NUMBER: 95084002  
SHEET CODE: A  
SHEET NUMBER: 6E-02  
SCALE: AS SHOWN  
VERIFY SCALES: 0, 1", 1/2", 3/4", 1/4"  
IF NOT ONE INCH ON A SIDE, INDICATE SCALE ACCORDINGLY

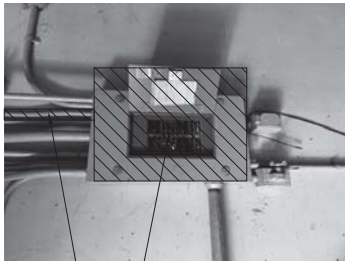
**CENTRAL PIPELINE REHABILITATION PROJECT**  
VASONA VALVEYARD 48" BFV VAULT ELECTRICAL PLAN AND CONDUIT AND WIRE SCHEDULE

ENGINEERING CERTIFICATION  
SEE ORIGINAL AND ADDENDUM DOCUMENTS FOR SIGNATURE AND DATE  
PROJECT ENGINEER: R. RAMIREZ  
DATE: 3/29/2020

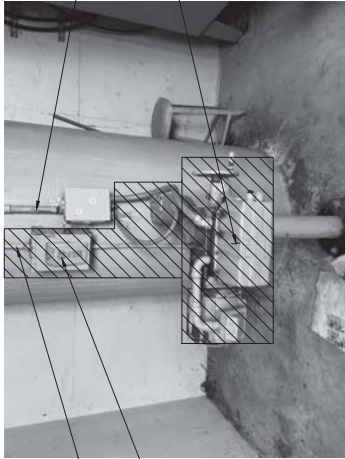
DATE: 5/29/2020  
DESIGN: M. CAVALLARO  
DRAWN: A. GALLEGOS  
CHECKED: R. RAMIREZ

DATE APPROVED: 7/20/20  
A.G.

DESCRIPTION: ADENDUM #1



**DETAIL 1** - **30" CONE VALVE VAULT EXISTING PANELBOARD**  
SCALE: NTS



**DETAIL 2** - **30" CONE VALVE VAULT EXISTING VALVE ACTUATOR**  
SCALE: NTS

**PANEL ID: 30" CONE VALVE VAULT PANELBOARD**  
LOCATION: VASONA 30" CONE VALVE VAULT  
VOLTAGE: 208/120V 3P, 4W  
MAIN: 50 AMPS  
KAC RATINGS: 22 KAC  
CAPACITY: 100 AMPS  
NEMA 3R

DESCRIPTION	A	B	C	D	E	F	G	H	I	J	K	L	M	N	O	P	Q	R	S	T	U	V	W	X	Y	Z
SUB PANEL RINGBROOK VALVE BOX																										
110V TO POLY PUMP																										
200V TO POLY PUMP																										
200V TO POLY PUMP																										
POLY SHACK LIGHTS + POLY CONTROL																										
VALVE NO. 1																										
SUMP PUMP NO. 2																										
TELEMETERING																										
VALVE BOX																										
VALVE BOX																										
HEATER IN PANELBOARD																										
VALVE FUTURE																										
LITES AND PLUGS VALVE BOX																										

**PANEL ID: LINE VALVE VAULT PANELBOARD**  
LOCATION: VASONA LINE VALVE VAULT  
VOLTAGE: 208/120V 3P, 4W  
MAIN: 60 AMPS  
KAC RATINGS: 22 KAC  
CAPACITY: 60 AMPS  
NEMA 3R

DESCRIPTION	A	B	C	D	E	F	G	H	I	J	K	L	M	N	O	P	Q	R	S	T	U	V	W	X	Y	Z
200V TO POLY PUMP																										
200V TO POLY PUMP																										
200V TO POLY PUMP																										
NETWORK SWITCH ENCLOSURE RECEPTACLE																										
TELEMETERING																										
VALVE BOX																										
VALVE BOX																										
HEATER IN PANELBOARD																										
VALVE FUTURE																										
LITES AND PLUGS VALVE BOX																										

**ADDENDA DRAWING**  
07-20-2020

SCALE: AS SHOWN  
PROJECT NUMBER: 95084002  
SHEET CODE: A  
SHEET NUMBER: 6E-03  
IF NOT ONE INCH ON THIS SHEET, VERIFY SCALES ACCORDINGLY

PROJECT NAME AND SHEET DESCRIPTION:  
**CENTRAL PIPELINE REHABILITATION PROJECT**  
VASONA VALVEYARD 30" EMO  
PANEL SCHEDULE AND DETAILS



ENGINEERING CERTIFICATION  
DATE: 5/29/2020  
DESIGN: M. CAVALLARO  
DRAWN: A. GALLEGOS  
CHECKED: R. RAMIREZ

DATE	DESCRIPTION	DATE	APPROVAL	REFERENCE INFORMATION AND NOTES
5/29/2020	DESIGN	7/20/20	A.G.	
	ADENDUM #1			

**Attachment 5:**  
**Kirk Ditch 14" Cone Valve Vault and**  
**Vasona Valve Yard 30" Cone Valve Site Photos**  
**(For Information Only)**

Kirk Ditch 14" Cone Valve Vault Site Photos



Vasona Valve Yard 30" Cone Valve Vault Site Photos

